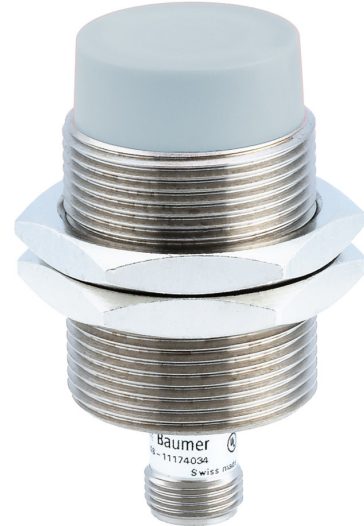


Overview

- 0 ... 24 mm
- voltage output
- connector M12
- -25 ... 75 °C
- IP 67



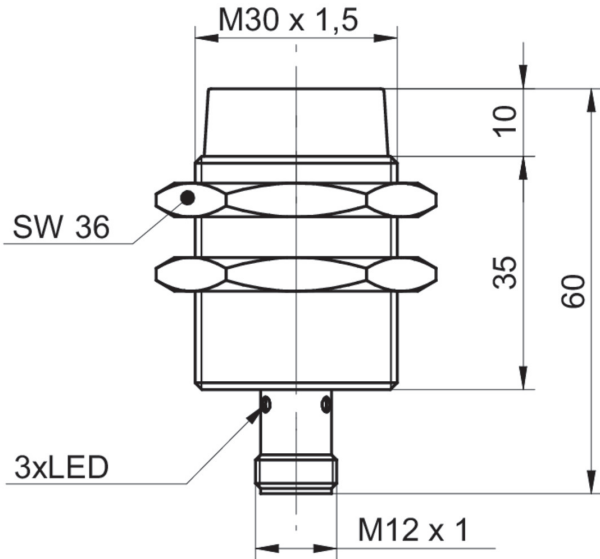
Picture similar



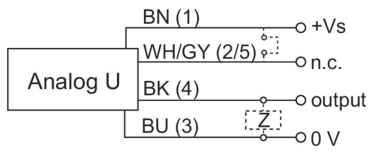
Technical data

General data		Electrical data	
Mounting type	Non-flush	Load resistance	> 4000 Ohm
Measuring distance Sd	0 ... 24 mm	Short circuit protection	Yes
Resolution	< 0.005 mm (stat.) < 0.01 mm (dynam.)	Reverse polarity protection	Yes
Repeat accuracy	0.02 mm	Mechanical data	
Linearity error	± 800 µm (S = 6 ... 18 mm) ± 3000 µm (S = 0 ... 24 mm)	Design	Cylindrical threaded
Temperature drift	± 8 % (Full Scale)	Material (sensing face)	PBT
Electrical data		Housing material	Brass nickel plated
Response time (factory characteristic)	< 2 ms	Dimension	30 mm
Voltage supply range +Vs	12 ... 36 VDC	Housing length	60 mm
Current consumption max. (no load)	10 mA	Connection types	Connector M12
Output circuit	Analog 0 ... 10 VDC	Tightening torque max.	100 Nm
		Ambient conditions	
		Operating temperature	-25 ... +75 °C
		Protection class	IP 67

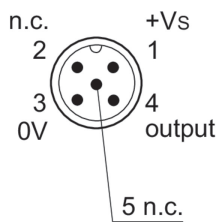
Dimension drawing



Connection diagram



Pin assignment



Accessories**Mounting accessories**

11200030	11200030
11199998	ZADAP-M30.STANDARD
11199999	ZADAP-M30.LONG
11707685	Mounting rod with mounting plate holder 200 mm
11707686	Mounting rod with mounting plate holder 300 mm
11707688	Mounting rod 200 mm
11707697	Mounting rod 250 mm
11707698	Mounting rod with mounting plate holder 250 mm
11707687	Mounting rod 300 mm
11707700	Mounting plate ø30 mm
11707702	Mounting base
11707703	Two-way connector