

**Overview**

- 0 ... 18 mm
- voltage output
- connector M12
- -25 ... 75 °C
- IP 67



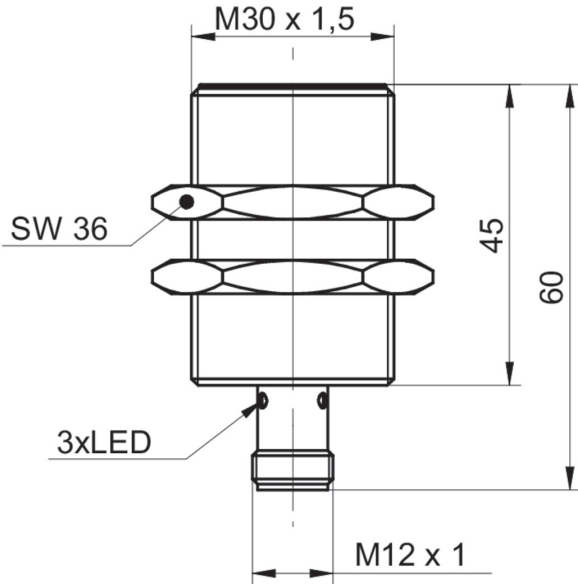
Picture similar



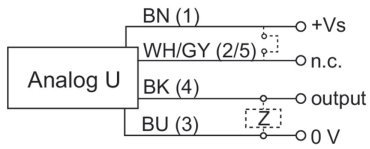
**Technical data**

General data		Electrical data	
Mounting type	Flush	Output signal	0 ... 10 VDC
Measuring distance Sd	0 ... 18 mm	Load resistance	> 4000 Ohm
Resolution	< 0,005 mm (stat.) < 0,01 mm (dynam.)	Short circuit protection	Yes
Repeat accuracy	< 0,02 mm	Reverse polarity protection	Yes
Linearity error	± 800 µm (S = 4,5 ... 13,5 mm) ± 2400 µm (S = 0 ... 18 mm)	Mechanical data	
Temperature drift	± 6 % (Full Scale)	Type	Cylindrical threaded
Electrical data		Housing material	Brass nickel plated
Response time (factory characteristic)	< 2 ms	Dimension	30 mm
Voltage supply range +Vs	12 ... 36 VDC	Housing length	60 mm
Current consumption max. (no load)	10 mA	Connection types	Connector M12
Output circuit	Voltage output	Tightening torque max.	100 Nm
		Ambient conditions	
		Operating temperature	-25 ... +75 °C
		Protection class	IP 67

**Dimension drawing**



**Connection diagram**



**Pin assignment**

