

**Overview**

- 0 ... 18 mm
- current output
- connector M12
- -25 ... 75 °C
- IP 67



Picture similar



**Technical data**

**General data**

Mounting type	Flush
Measuring distance Sd	0 ... 18 mm
Resolution	< 0,005 mm (stat.) < 0,01 mm (dynam.)
Repeat accuracy	< 0,02 mm
Linearity error	± 800 µm (S = 4,5 ... 13,5 mm) ± 2400 µm (S = 0 ... 18 mm)
Temperature drift	± 6 % (Full Scale)

**Electrical data**

Response time (factory characteristic)	< 2 ms
Voltage supply range +Vs	8 ... 36 VDC
Current consumption max. (no load)	20 mA
Output circuit	Current output

**Electrical data**

Output signal	4 ... 20 mA
Load resistance	< 50 Ohm/V * Vs - 250 Ohm > 500 Ohm (Vs = 30 ... 36 VDC)
Short circuit protection	Yes
Reverse polarity protection	Yes

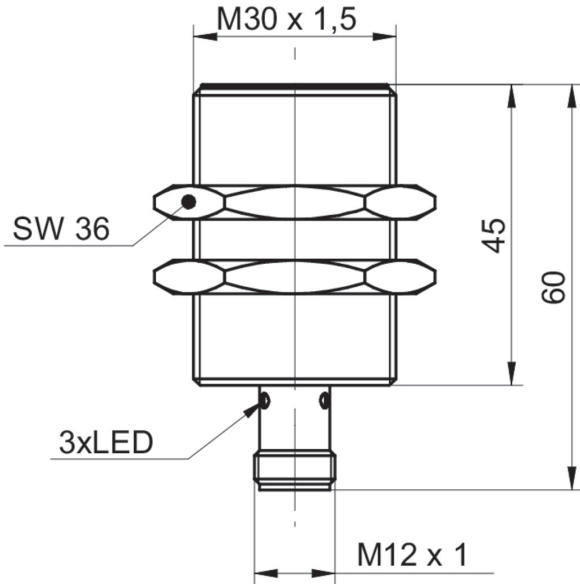
**Mechanical data**

Type	Cylindrical threaded
Housing material	Brass nickel plated
Dimension	30 mm
Housing length	60 mm
Connection types	Connector M12
Tightening torque max.	100 Nm

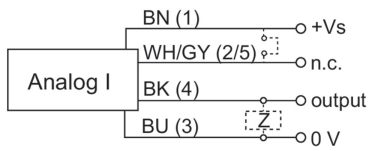
**Ambient conditions**

Operating temperature	-25 ... +75 °C
Protection class	IP 67

**Dimension drawing**



**Connection diagram**



**Pin assignment**

