

**Overview**

- 0 ... 18 mm
- current output
- external Teach-in
- connector M12
- -25 ... 75 °C
- IP 67



Picture similar



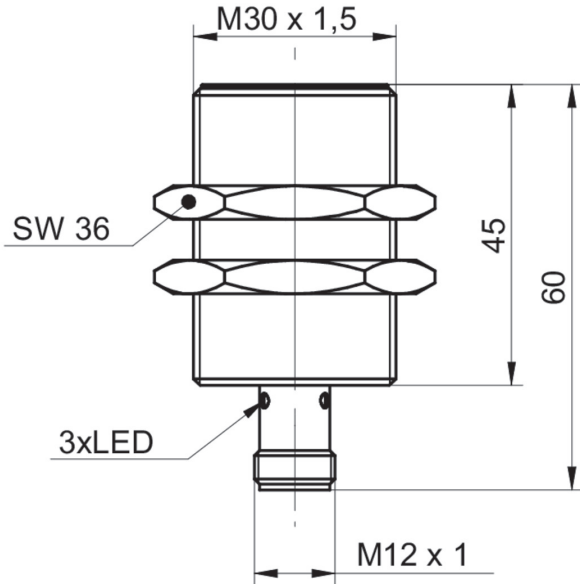
**Technical data**

General data		Electrical data	
Mounting type	Flush	Output circuit	Current output
Special type	Linearized	Output signal	4 ... 20 mA
Measuring distance Sd	0 ... 18 mm	Load resistance	< 50 Ohm/V * Vs - 250 Ohm > 500 Ohm (Vs = 30 ... 36 VDC)
Sensitivity	0,89 mA/mm	Short circuit protection	Yes
Resolution	< 0,005 mm (stat.) < 0,01 mm (dynam.)	Reverse polarity protection	Yes
Repeat accuracy	< 0,02 mm	Mechanical data	
Adjustment	External Teach-in	Type	Cylindrical threaded
Teach	1-point analog, 2-point analog, factory re-set	Housing material	Brass nickel plated
Linearity error	± 360 µm	Dimension	30 mm
Temperature drift	± 6 % (Full Scale)	Housing length	60 mm
Teach-Feedback	LED yellow	Connection types	Connector M12
Electrical data		Tightening torque max.	100 Nm
Response time (factory characteristic)	< 5 ms	Ambient conditions	
Voltage supply range +Vs	8 ... 36 VDC	Operating temperature	-25 ... +75 °C
Current consumption max. (no load)	20 mA	Protection class	IP 67

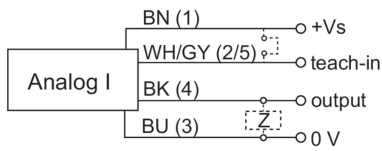
**Remarks**

- External Teach-in
- Linear analog output

**Dimension drawing**



**Connection diagram**



**Pin assignment**

