

IR18.D08F-F60.UA1E.7BO

Inductive distance sensors - factor 1 - all metals

Article number: 11170540

Overview

- 0 ... 8 mm
- voltage output
- external Teach-in
- connector M12
- -25 ... 75 °C
- IP 67



Picture similar



Technical data

General data

Mounting type	Flush
Special type	Linearized Factor 1
Measuring distance Sd	0 ... 8 mm
Sensitivity	1,25 V/mm
Resolution	< 0.02 mm (stat.) < 0.03 mm (dynam.)
Repeat accuracy	0.03 mm
Adjustment	External Teach-in
Teach	1-point analog, 2-point analog, factory re-set
Linearity error	± 70 µm
Temperature drift	± 3 % (Full Scale: S = 0 ... 6 mm) ± 5 % (Full Scale: S = 0 ... 8 mm)
Teach-Feedback	LED yellow

Electrical data

Response time (factory characteristic)	< 15 ms
--	---------

Electrical data

Voltage supply range +Vs	12 ... 36 VDC
Current consumption max. (no load)	15 mA
Output circuit	Analog 0 ... 10 VDC
Load resistance	> 4000 Ohm
Short circuit protection	Yes
Reverse polarity protection	Yes

Mechanical data

Design	Cylindrical threaded
Material (sensing face)	PBT
Housing material	Brass nickel plated
Dimension	18 mm
Housing length	60 mm
Connection types	Connector M12
Tightening torque max.	40 Nm

Ambient conditions

Operating temperature	-25 ... +75 °C
Protection class	IP 67

Remarks

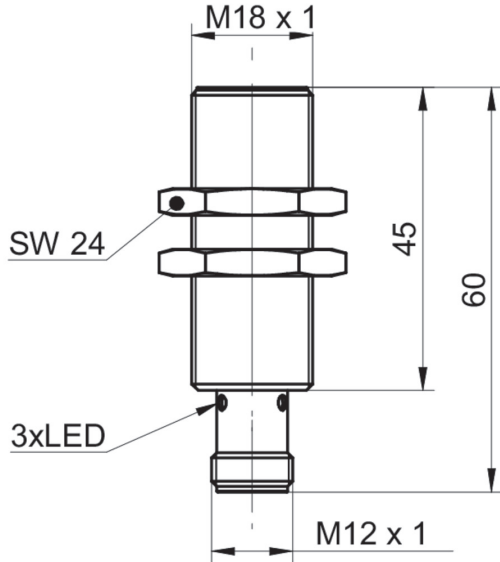
- External Teach-in
- Linear analog output
- Same measuring distance on all metals (no reduction factor)

IR18.D08F-F60.UA1E.7BO

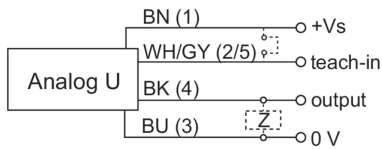
Inductive distance sensors - factor 1 - all metals

Article number: 11170540

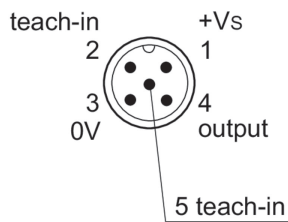
Dimension drawing



Connection diagram



Pin assignment



IR18.D08F-F60.UA1E.7BO

Inductive distance sensors - factor 1 - all metals

Article number: 11170540

Accessories**Mounting accessories**

10151658	Sensofix series 18
11172096	ZADAP-M18.STANDARD
11171584	ZADAP-M18.SHORT
11172095	ZADAP-M18.LONG
11707685	Mounting rod with mounting plate holder 200 mm
11707686	Mounting rod with mounting plate holder 300 mm
11707688	Mounting rod 200 mm
11707697	Mounting rod 250 mm
11707698	Mounting rod with mounting plate holder 250 mm
11707687	Mounting rod 300 mm
11707699	Mounting plate series 500 and \varnothing 18 mm
11707702	Mounting base
11707703	Two-way connector