

Overview

- Cylindrical standard housing for versatile use
- Factor 1 - Same high distances on any metal
- Lowest serial dispersion due to end-of-line calibration
- Robust even in demanding environments
- Temperature and long-term stable switching behavior



Picture similar



Technical data

General data

Mounting type	Flush
Special type	Factor 1
Nominal sensing distance Sn	4 mm
Assured sensing distance Sa	≤ 81 % of Sn
Real sensing distance Sr	± 10 % von Sn
Temperature drift	± 10 % of Sr
Hysteresis	3 ... 20 % of Sr
Output indicator	LED red
Correction factor typ.	Mild steel 100 %, stainless steel 100 %, aluminum 100 %, copper 100 %
Reference object	Fe360 12 x 12 x 1 mm

Electrical data

Switching frequency	2 kHz
Voltage supply range +Vs	5 ... 36 VDC
Current consumption max. (no load)	12 mA
Output circuit	NPN break function (NC)
Voltage drop Vd	<2 VDC
Output current	200 mA
Short circuit protection	Yes
Reverse polarity protection	Yes

Mechanical data

Design	Cylindrical threaded
--------	----------------------

Mechanical data

Material (sensing face)	PBT
Housing material	Brass nickel plated
Dimension	12 mm
Housing length	40 mm
Connection types	Cable, L=2 m
Tightening torque max.	10 Nm
Weight	71 g

Ambient conditions

Operating temperature	-25 ... +75 °C
Storage temperature	-25 ... +75 °C
Protection class	IP 67
Vibration resistance	IEC 60068-2-6:2008 10 g at f = 10 - 2000 Hz, duration 150 min per axis
Shock resistance	IEC 60068-2-27:2009 100 g / 6 ms, 10 jolts per axis and direction

Safe maximum values

MTTF	775 years
Diagnostic coverage (DC)	0 %

Cable

Cable length	200 cm
Shielded	No
External sheath: Material	PVC
Cable diameter	4.2 mm
Wire cross section	0.25 mm ²
Insulation: Material	PVC

IR12.P04F-F40.NC1Z.7BCV

Inductive proximity switch - factor 1 - all metals

Article number: 11119439

Technical data

Cable

Bending radius (fixed) 5 × outer diameter

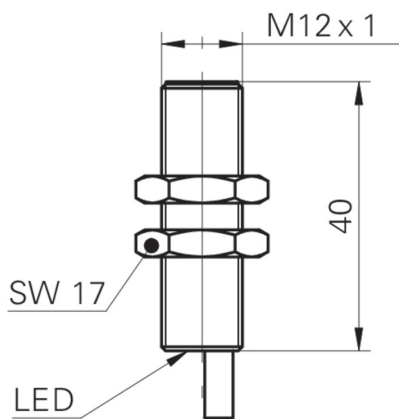
Cable

Bending radius (mobile) 10 × outer diameter

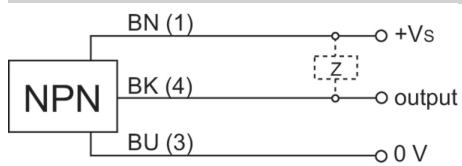
Remarks

- Same sensing distance on all metals (no reduction factor)

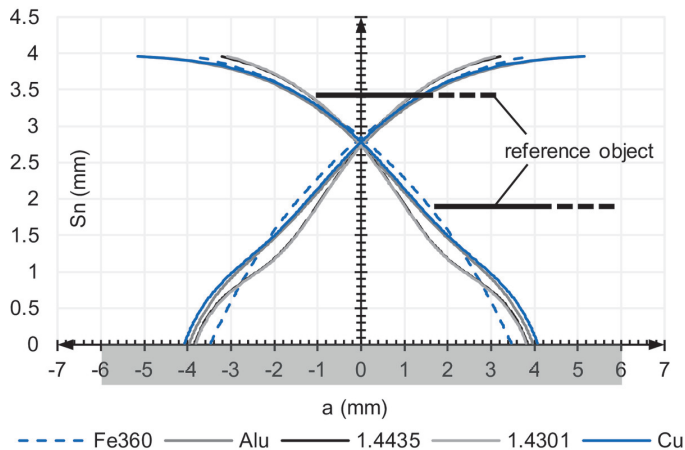
Dimension drawing



Connection diagram



Response diagram



IR12.P04F-F40.NC1Z.7BCV

Inductive proximity switch - factor 1 - all metals

Article number: 11119439

Accessories**Mounting accessories**

10151720	Sensofix series 12 round
11707685	Mounting rod with mounting plate holder 200 mm
11707686	Mounting rod with mounting plate holder 300 mm
11707688	Mounting rod 200 mm
11707697	Mounting rod 250 mm
11707698	Mounting rod with mounting plate holder 250 mm
11707687	Mounting rod 300 mm
11707701	Mounting plate series 300 and \varnothing 12 mm
11707702	Mounting base
11707703	Two-way connector