

Overview

- 0 ... 6 mm
- voltage output
- connector M12
- -25 ... 75 °C
- IP 67



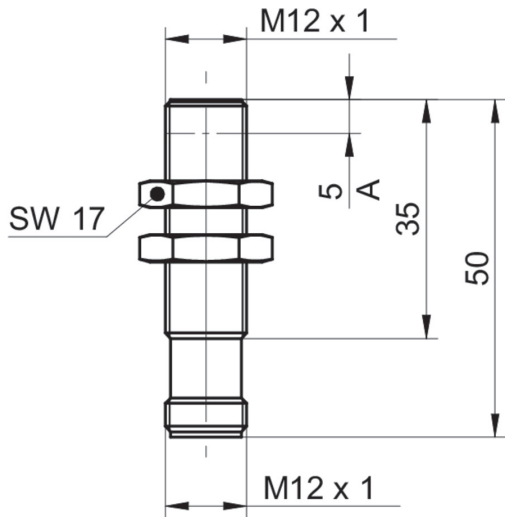
Picture similar



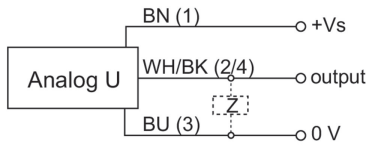
Technical data

General data		Electrical data	
Mounting type	Quasi-flush	Output circuit	Voltage output
Measuring distance Sd	0 ... 6 mm	Output signal	0 ... 10 VDC
Resolution	< 0,005 mm (stat.) < 0,01 mm (dynam.)	Load resistance	> 4000 Ohm
Repeat accuracy	< 0,01 mm	Short circuit protection	Yes
Linearity error	± 300 µm (S = 1,5 ... 4,5 mm) ± 720 µm (S = 0 ... 6 mm)	Reverse polarity protection	Yes
Temperature drift	± 4 % (Full Scale; 0 ... +60 °C) ± 6 % (Full Scale; -25 ... +75 °C)	Mechanical data	
Electrical data		Type	Cylindrical threaded
Response time (factory characteristic)	< 1 ms	Housing material	Brass nickel plated
Voltage supply range +Vs	12 ... 36 VDC	Dimension	12 mm
Current consumption max. (no load)	10 mA	Housing length	50 mm
		Connection types	Connector M12
		Tightening torque max.	15 Nm (A: 10 Nm)
		Ambient conditions	
		Operating temperature	-25 ... +75 °C
		Protection class	IP 67

Dimension drawing



Connection diagram



Pin assignment

