

Overview

- 0 ... 6 mm
- current output
- connector M12
- -25 ... 75 °C
- IP 67



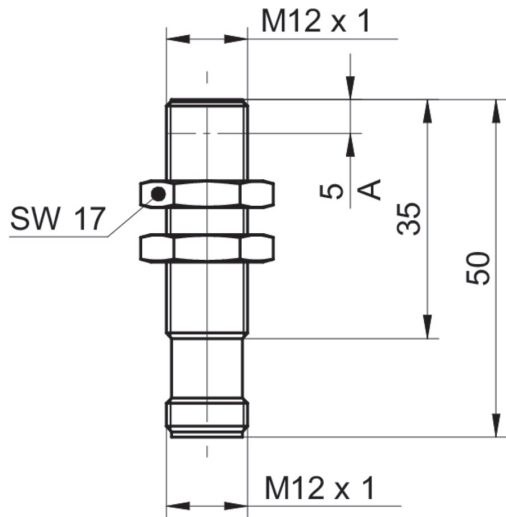
Picture similar



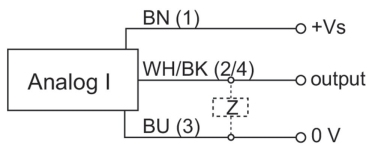
Technical data

General data		Electrical data	
Mounting type	Quasi-flush	Output signal	4 ... 20 mA
Measuring distance Sd	0 ... 6 mm	Load resistance	< 50 Ohm/V * Vs - 150 Ohm > 500 Ohm (Vs = 30 ... 36 VDC)
Resolution	< 0,005 mm (stat.) < 0,01 mm (dynam.)	Short circuit protection	Yes
Repeat accuracy	< 0,01 mm	Reverse polarity protection	Yes
Linearity error	± 300 µm (S = 1,5 ... 4,5 mm) ± 720 µm (S = 0 ... 6 mm)	Mechanical data	
Temperature drift	± 4 % (Full Scale; 0 ... +60 °C) ± 6 % (Full Scale; -25 ... +75 °C)	Type	Cylindrical threaded
Electrical data		Housing material	Brass nickel plated
Response time (factory characteristic)	< 1 ms	Dimension	12 mm
Voltage supply range +Vs	8 ... 36 VDC	Housing length	50 mm
Current consumption max. (no load)	10 mA	Connection types	Connector M12
Output circuit	Current output	Tightening torque max.	15 Nm (A: 10 Nm)
		Ambient conditions	
		Operating temperature	-25 ... +75 °C
		Protection class	IP 67

Dimension drawing



Connection diagram



Pin assignment

