

Overview

- 0 ... 6 mm
- current output
- external Teach-in
- connector M12
- -25 ... 75 °C (Vs = 8 ... 30 VDC)
- -25 ... 60 °C (Vs = 8 ... 36 VDC)
- IP 67



Picture similar



Technical data

General data

Mounting type	Quasi-flush
Special type	Linearized
Measuring distance Sd	0 ... 6 mm
Sensitivity	2,67 mA/mm
Resolution	< 0.003 mm (stat.) < 0.005 mm (dynam., S = 0 ... 4 mm) < 0.022 mm (dynam., S = 0 ... 6 mm)
Repeat accuracy	0.01 mm
Adjustment	External Teach-in
Teach	1-point analog, 2-point analog, factory re-set
Linearity error	± 25 µm (S = 0 ... 4 mm) ± 120 µm (S = 0 ... 6 mm)
Temperature drift	± 2 % (Full Scale: S = 0 ... 4 mm) ± 5 % (Full Scale: S = 0 ... 6 mm)
Teach-Feedback	LED yellow

Electrical data

Response time (factory characteristic)	< 1 ms
Voltage supply range +Vs	8 ... 36 VDC

Electrical data

Current consumption max. (no load)	25 mA
Output circuit	Analog 4 ... 20 mA
Load resistance	< 50 Ohm/V * Vs - 250 Ohm > 500 Ohm (Vs = 30 ... 36 VDC)
Short circuit protection	Yes
Reverse polarity protection	Yes

Mechanical data

Design	Cylindrical threaded
Material (sensing face)	PBT
Housing material	Brass nickel plated
Dimension	12 mm
Housing length	60 mm
Connection types	Connector M12
Tightening torque max.	15 Nm (A: 10 Nm)

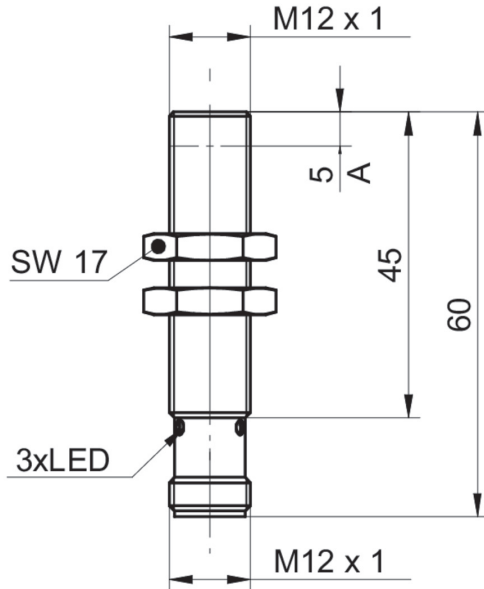
Ambient conditions

Operating temperature	-25 ... +75 °C (Vs = 8 ... 30 VDC) -25 ... +60 °C (Vs = 8 ... 36 VDC)
Protection class	IP 67

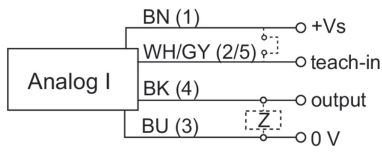
Remarks

- External Teach-in
- Linear analog output

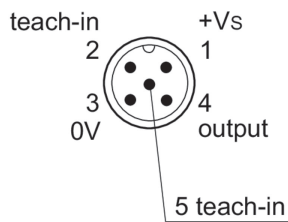
Dimension drawing



Connection diagram



Pin assignment



Accessories**Mounting accessories**

10151720	Sensofix series 12 round
11707685	Mounting rod with mounting plate holder 200 mm
11707686	Mounting rod with mounting plate holder 300 mm
11707688	Mounting rod 200 mm
11707697	Mounting rod 250 mm
11707698	Mounting rod with mounting plate holder 250 mm
11707687	Mounting rod 300 mm
11707701	Mounting plate series 300 and \varnothing 12 mm
11707702	Mounting base
11707703	Two-way connector