

Overview

- 0 ... 4 mm
- current output
- connector M12
- -25 ... 75 °C
- IP 67



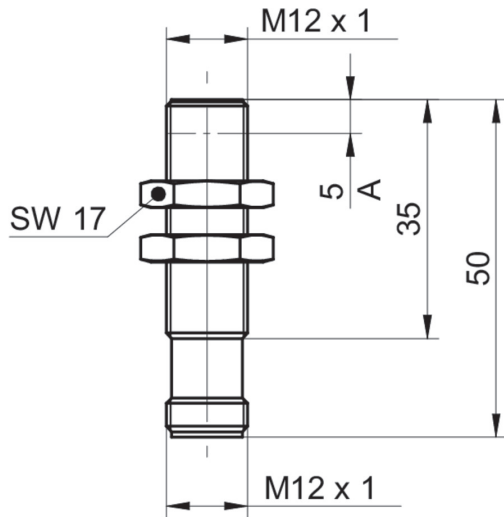
Picture similar



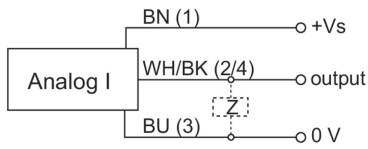
Technical data

| General data | | Electrical data | |
|--|--|-----------------------------|---|
| Mounting type | Flush | Load resistance | 50 Ohm/V * Vs - 150 Ohm (Vs < 30 V) > 500 Ohm (Vs > 30 V) |
| Measuring distance Sd | 0 ... 4 mm | Short circuit protection | Yes |
| Resolution | < 0.005 mm (stat.) < 0.01 mm (dynam.) | Reverse polarity protection | Yes |
| Repeat accuracy | 0.01 mm | Mechanical data | |
| Linearity error | ± 200 µm (S = 1 ... 3 mm) ± 400 µm (S = 0 ... 4 mm) | Design | Cylindrical threaded |
| Temperature drift | ± 3 % (Full Scale: 0 ... +60 °C) ± 5 % (Full Scale: -25 ... +75 °C) | Material (sensing face) | PBT |
| Electrical data | | Housing material | Brass nickel plated |
| Response time (factory characteristic) | < 1 ms | Dimension | 12 mm |
| Voltage supply range +Vs | 8 ... 36 VDC | Housing length | 50 mm |
| Current consumption max. (no load) | 12 mA | Connection types | Connector M12 |
| Output circuit | Analog 4 ... 20 mA | Tightening torque max. | 15 Nm (A: 10 Nm) |
| | | Ambient conditions | |
| | | Operating temperature | -25 ... +75 °C |
| | | Protection class | IP 67 |

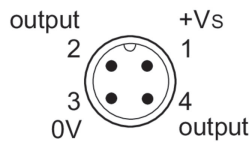
Dimension drawing



Connection diagram



Pin assignment



Accessories**Mounting accessories**

| | |
|----------|---|
| 10151720 | Sensofix series 12 round |
| 11707685 | Mounting rod with mounting plate holder 200 mm |
| 11707686 | Mounting rod with mounting plate holder 300 mm |
| 11707688 | Mounting rod 200 mm |
| 11707697 | Mounting rod 250 mm |
| 11707698 | Mounting rod with mounting plate holder 250 mm |
| 11707687 | Mounting rod 300 mm |
| 11707701 | Mounting plate series 300 and \varnothing 12 mm |
| 11707702 | Mounting base |
| 11707703 | Two-way connector |