

Overview

- 0 ... 4 mm
- voltage output / PNP
- external Teach-in
- connector M12
- -25 ... 75 °C (Vs = 12 ... 30 VDC)
- -25 ... 60 °C (Vs = 12 ... 36 VDC)
- IP 67



Picture similar



Technical data

General data

| | |
|-----------------------|--|
| Mounting type | Flush |
| Special type | 2 adjust. switching points Linearized |
| Measuring distance Sd | 0 ... 4 mm |
| Sensitivity | 2,5 V/mm |
| Resolution | < 0.003 mm (stat.) < 0.005 mm (dynam.) |
| Repeat accuracy | 0.01 mm |
| Adjustment | External Teach-in |
| Teach | 1-point analog, window digital, factory re-set |
| Linearity error | ± 16 µm |
| Temperature drift | ± 4 % (Full Scale) |
| Output indicator | LED red |
| Teach-Feedback | LED yellow |

Electrical data

| | |
|--|---------------|
| Response time (factory characteristic) | < 1 ms |
| Voltage supply range +Vs | 12 ... 36 VDC |
| Current consumption max. (no load) | 15 mA |

Electrical data

| | |
|-----------------------------|----------------------------|
| Output circuit | Analog 0 ... 10 VDC PNP |
| Load resistance | > 4000 Ohm |
| Output current | 100 mA (PNP) |
| Short circuit protection | Yes |
| Reverse polarity protection | Yes |

Mechanical data

| | |
|-------------------------|----------------------|
| Design | Cylindrical threaded |
| Material (sensing face) | PBT |
| Housing material | Brass nickel plated |
| Dimension | 12 mm |
| Housing length | 60 mm |
| Connection types | Connector M12 |
| Tightening torque max. | 15 Nm (A: 10 Nm) |

Ambient conditions

| | |
|-----------------------|--|
| Operating temperature | -25 ... +75 °C (Vs = 12 ... 30 VDC) -25 ... +60 °C (Vs = 12 ... 36 VDC) |
| Protection class | IP 67 |

IR12.D04L-F60.UAME.7BF

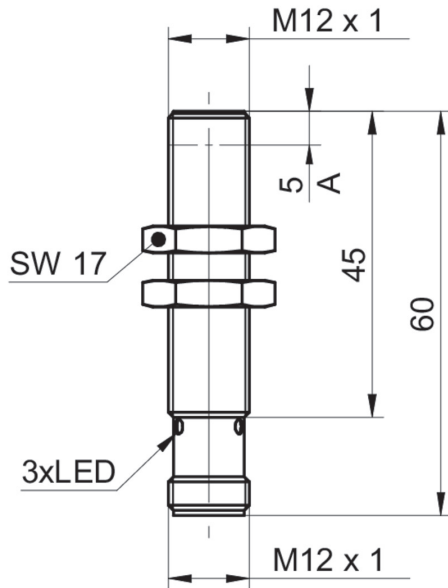
Inductive distance sensors - linearized

Article number: 11130474

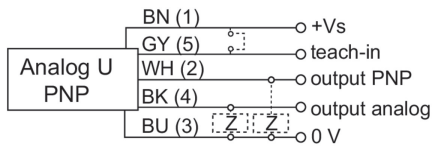
Remarks

- External Teach-in
- Integrated analog- and switching output
- Linear analog output

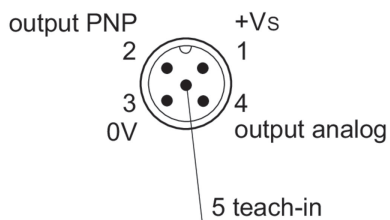
Dimension drawing



Connection diagram



Pin assignment



Accessories**Mounting accessories**

| | |
|----------|---|
| 10151720 | Sensofix series 12 round |
| 11707685 | Mounting rod with mounting plate holder 200 mm |
| 11707686 | Mounting rod with mounting plate holder 300 mm |
| 11707688 | Mounting rod 200 mm |
| 11707697 | Mounting rod 250 mm |
| 11707698 | Mounting rod with mounting plate holder 250 mm |
| 11707687 | Mounting rod 300 mm |
| 11707701 | Mounting plate series 300 and \varnothing 12 mm |
| 11707702 | Mounting base |
| 11707703 | Two-way connector |