

**Overview**

- Cylindrical standard housing for versatile use
- Lowest serial dispersion due to end-of-line calibration
- Robust even in demanding environments
- Temperature and long-term stable switching behavior



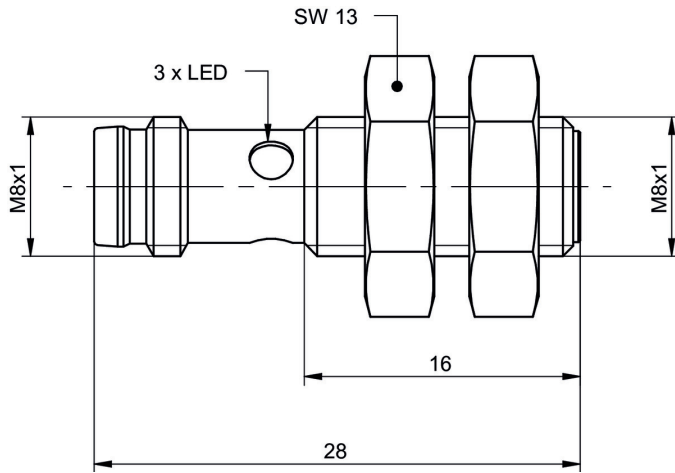
Picture similar



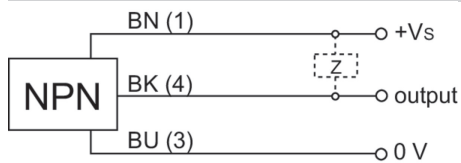
**Technical data**

General data		Electrical data	
Mounting type	Flush	Reverse polarity protection	Yes
Nominal sensing distance Sn	2 mm	Mechanical data	
Assured sensing distance Sa	≤ 81 % of Sn	Design	Cylindrical threaded
Real sensing distance Sr	± 10 % von Sn	Material (sensing face)	PBT
Temperature drift	± 10 % of Sr	Housing material	Stainless steel (V2A)
Hysteresis	3 ... 20 % of Sr	Dimension	8 mm
Output indicator	LED red	Housing length	28 mm
Correction factor typ.	Mild steel 100 %, stainless steel 65 %, aluminum 30 %, copper 25 %	Connection types	Connector M8, 3 pin
Reference object	Fe360 8 x 8 x 1 mm	Tightening torque max.	7 Nm
Electrical data		Ambient conditions	
Switching frequency	5 kHz	Operating temperature	-25 ... +75 °C
Voltage supply range +Vs	6 ... 36 VDC	Storage temperature	-40 ... +75 °C
Current consumption max. (no load)	12 mA	Protection class	IP 67
Output circuit	NPN make function (NO)	Vibration resistance	IEC 60068-2-6:2008 10 g at f = 10 - 2000 Hz, duration 150 min per axis
Voltage drop Vd	<2 VDC	Shock resistance	IEC 60068-2-27:2009 100 g / 6 ms, 10 jolts per axis and direction
Output current	200 mA	Safe maximum values	
Short circuit protection	Yes	MTTF	4590 years
		Diagnostic coverage (DC)	0 %

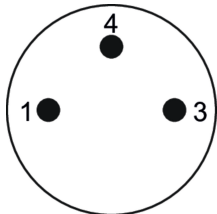
**Dimension drawing**



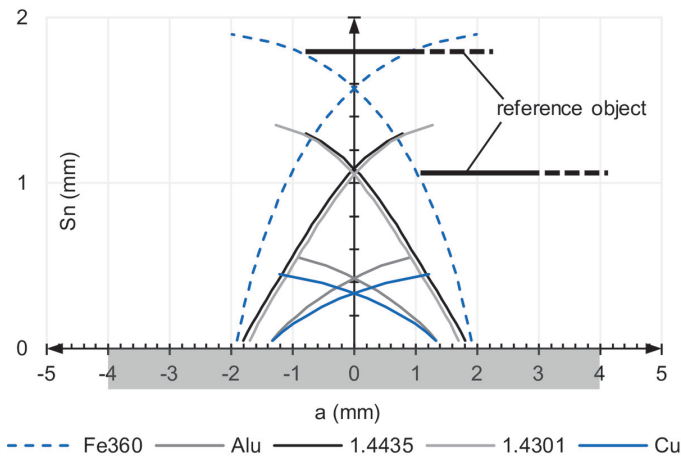
**Connection diagram**



**Pin assignment**



**Response diagram**



**Accessories**

**Mounting accessories**

10151719

Sensifix series 08 round