

Overview

- 0 ... 3 mm
- voltage output
- Teach-in
- connector M8
- -25 ... 75 °C
- IP 67



Picture similar



Technical data

General data

Mounting type	Quasi-flush
Special type	Linearized
Measuring distance Sd	0 ... 3 mm
Sensitivity	3,33 V/mm
Resolution	< 0,003 mm (stat.) < 0,009 mm (dynam., S = 0 ... 2 mm) < 0,018 mm (dynam., S = 0 ... 3 mm)
Repeat accuracy	< 0,01 mm
Adjustment	Teach-in
Linearity error	± 10 µm (S = 0 ... 2 mm) ± 90 µm (S = 0 ... 3 mm)
Temperature drift	± 2 % (Full Scale; S = 0 ... 2 mm) ± 6 % (Full Scale; S = 0 ... 3 mm)
Teach-Feedback	LED yellow

Electrical data

Response time (factory characteristic)	< 2 ms
--	--------

Electrical data

Voltage supply range +Vs	12 ... 30 VDC
Current consumption max. (no load)	12 mA
Output circuit	Voltage output
Output signal	0 ... 10 VDC
Load resistance	> 4000 Ohm
Short circuit protection	Yes
Reverse polarity protection	Yes

Mechanical data

Type	Cylindrical smooth
Housing material	Stainless steel
Dimension	6,5 mm
Housing length	46 mm
Connection types	Connector M8

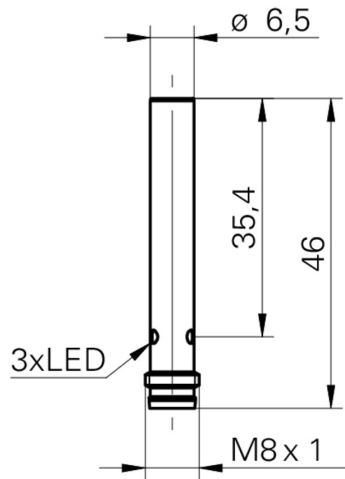
Ambient conditions

Operating temperature	-25 ... +75 °C
Protection class	IP 67

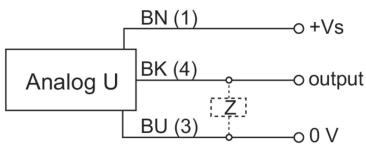
Remarks

- Linear analog output
- Magnetic Teach

Dimension drawing



Connection diagram



Pin assignment

