

## IFRM 08P17T4

Inductive sensors special versions - high temperature

Article number: 10159049

### Overview

- 2 mm
- PNP make function (NO)
- cable FEP, 1 m
- -25 ... 100 °C
- IP 67



Picture similar



### Technical data

General data		Electrical data	
Mounting type	Flush	Voltage drop Vd	< 3 VDC
Special type	High temperature	Output current	< 100 mA
Nominal sensing distance Sn	2 mm	Short circuit protection	Yes
Temperature drift	± 10 % (-25 ... +75 °C) - 10 % / + 15 % (-25 ... +100 °C)	Reverse polarity protection	Yes
Hysteresis	3 ... 20 % of Sr	Mechanical data	
Electrical data		Type	Cylindrical threaded
Switching frequency	5 kHz	Housing material	Stainless steel
Voltage supply range +Vs	6 ... 30 VDC	Dimension	8 mm
Current consumption max. (no load)	12 mA	Housing length	50 mm
Output circuit	PNP make function (NO)	Connection types	Cable FEP, 1 m
		Ambient conditions	
		Operating temperature	-25 ... +100 °C
		Protection class	IP 67

### Remarks

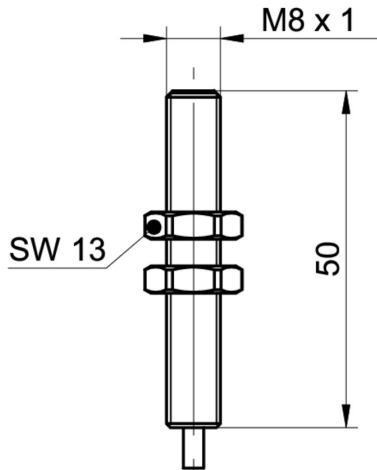
- With integral electronics of up to +100 °C

# IFRM 08P17T4

Inductive sensors special versions - high temperature

Article number: 10159049

## Dimension drawing



## Connection diagram

