

Overview

- Ultra-flat design for installation in confined spaces
- Large switching distance 12 mm
- Robust plastic housing with metal sleeves
- Additional mounting material for easy installation on tubes



Picture similar



Technical data

General data

| | |
|-----------------------------|---|
| Mounting type | Non-flush |
| Nominal sensing distance Sn | 12 mm |
| Assured sensing distance Sa | ≤ 81 % of Sn |
| Real sensing distance Sr | ± 10 % of Sn |
| Temperature drift | ± 10 % of Sr |
| Hysteresis | 3 ... 20 % of Sr |
| Output indicator | LED red |
| Correction factor typ. | Mild steel 100 %, stainless steel 70 %, aluminum 50 % |

Electrical data

| | |
|------------------------------------|-------------------------|
| Switching frequency | 1000 Hz |
| Voltage supply range +Vs | 6 ... 36 VDC |
| Current consumption max. (no load) | 12 mA |
| Output circuit | PNP break function (NC) |
| Voltage drop Vd | <2 VDC |
| Output current | 200 mA |

Electrical data

| | |
|-----------------------------|-----|
| Short circuit protection | Yes |
| Reverse polarity protection | Yes |

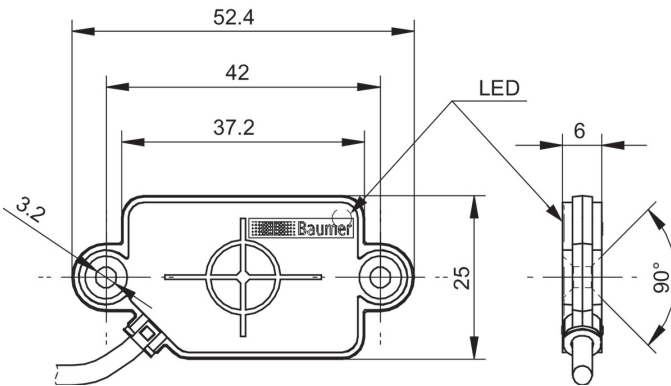
Mechanical data

| | |
|-------------------------|------------------------------|
| Design | Rectangular |
| Material (sensing face) | PA |
| Housing material | PA 12 |
| Dimension | 25 mm |
| Housing length | 52.4 mm |
| Connection types | Cable, L=2 m |
| Cable characteristics | PUR 3 x 0.14 mm ² |
| Weight | 36 g |

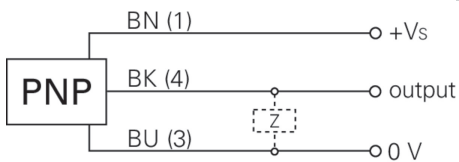
Ambient conditions

| | |
|-----------------------|--|
| Operating temperature | -25 ... +75 °C |
| Storage temperature | -40 ... +75 °C |
| Protection class | IP 67 |
| Vibration resistance | IEC 60068-2-6:2008 10 g at f = 10 - 2000 Hz, duration 150 min per axis |
| Shock resistance | IEC 60068-2-27:2009 100 g / 6 ms, 10 jolts per axis and direction |

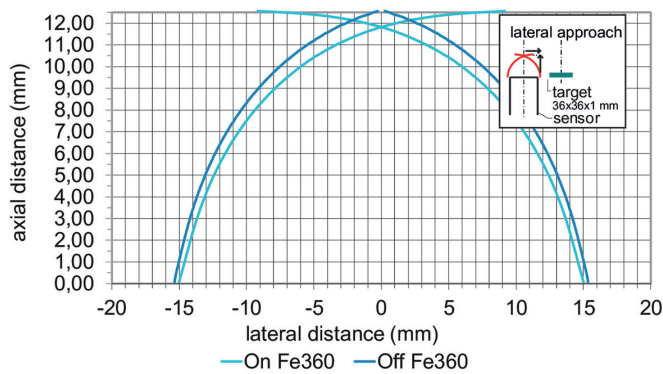
Dimension drawing



Connection diagram



Response diagram

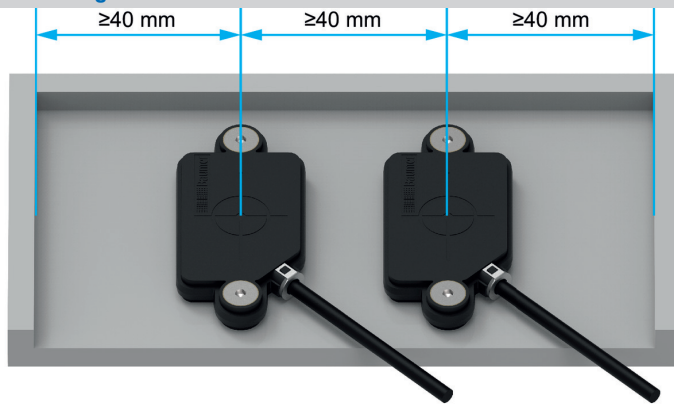


Correction factors for different mounting situation (approx.)



| Mounting material: | Correction factor |
|---------------------|-------------------|
| Non-metal: | 100 % |
| Construction steel: | 110 % |
| Stainless steel: | 95 % |
| Aluminium: | 90 % |

Mounting instructions



Accessories

Mounting accessories

| | |
|----------|--------------|
| 11053652 | HC25-1 |
| 11078172 | BX 20-360-1 |
| 11078173 | BX 20-1200-1 |
| 11089348 | BX 20-2000-1 |
| 11089349 | BX 20-4000-1 |