

Overview

- Extra flat, front-mountable housing
- Lowest serial dispersion due to end-of-line calibration
- Robust even in demanding environments
- Temperature and long-term stable switching behavior



Picture similar

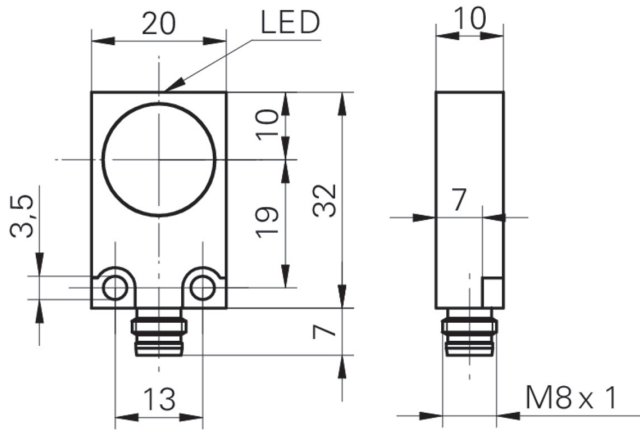


Technical data

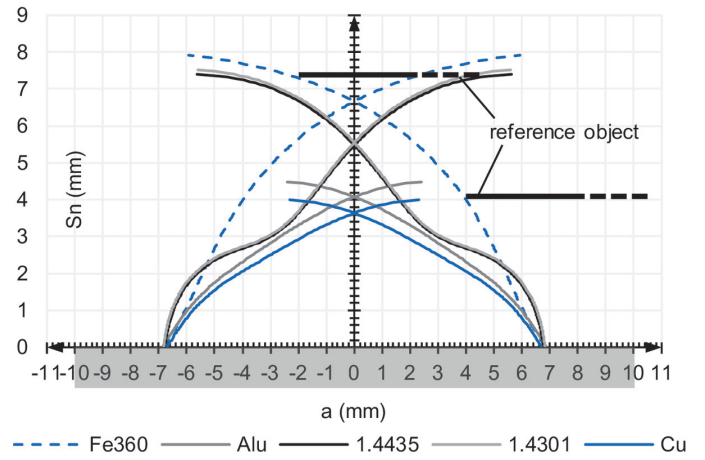
General data		Electrical data	
Mounting type	Flush	Short circuit protection	Yes
Nominal sensing distance Sn	8 mm	Reverse polarity protection	Yes
Assured sensing distance Sa	≤ 81 % of Sn	Mechanical data	
Real sensing distance Sr	± 10 % von Sn	Design	Rectangular
Temperature drift	± 10 % of Sr	Material (sensing face)	PBT
Hysteresis	3 ... 20 % of Sr	Housing material	Brass nickel plated
Output indicator	LED red	Dimension	20 mm
Correction factor typ.	Mild steel 100 %, stainless steel 70 %, aluminum 50 %, copper 45 %	Housing length	32 mm
Reference object	Fe360 24 x 24 x 1 mm	Connection types	Connector M8, 3 pin
Electrical data		Ambient conditions	
Switching frequency	500 Hz	Operating temperature	-25 ... +75 °C
Voltage supply range +Vs	6 ... 36 VDC	Storage temperature	-40 ... +75 °C
Current consumption max. (no load)	10 mA	Protection class	IP 67
Output circuit	NPN make function (NO)	Vibration resistance	IEC 60068-2-6:2008 10 g at f = 10 - 2000 Hz, duration 150 min per axis
Voltage drop Vd	<2 VDC	Shock resistance	IEC 60068-2-27:2009 100 g / 6 ms, 10 jolts per axis and direction
Output current	200 mA	Safe maximum values	
		MTTF	2166 years
		Diagnostic coverage (DC)	0 %

2024-11-08 The product features and technical data specified do not express or imply any warranty. Technical modifications subject to change.

Dimension drawing



Response diagram



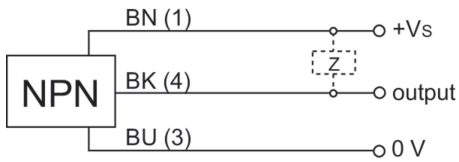
Accessories

Mounting accessories

10152385

10152385

Connection diagram



Pin assignment

