

# IDC230.W16

Camera based multicode reader for 1D, 2D codes and text (OCR) - Focal length 16 mm

Article number: 11727457

## Overview

- Stationary code reader for reading and checking barcodes (1D) and matrix codes (2D) including GS1
- Text recognition (OCR)
- Part location on contours
- Parameterization in the web browser, no installation of software required
- Easy access via USB or industrial Ethernet
- Clear status information via integrated OLED display
- Simultaneous reading of multiple codes and text at once and checking against default value



Picture similar



EtherNet/IP™

## Technical data

### Feature checks

Part location	Part location on contours
Identification	Barcode Matrix code Text

### Supported Codes

1D codes	2/5 Industrial 2/5 Interleaved Codabar Code 32 (converted from Code 39) Code 39 Code 39 Extended Code 93 Code 128 EAN-8 Add-On 2 EAN-8 Add-On 5 EAN-8 EAN-13 Add-On 2 EAN-13 Add-On 5 EAN-13 GS1 DataBar Expanded Stacked GS1 DataBar Expanded GS1 DataBar Limited GS1 DataBar Omnidirectional GS1 DataBar Stacked Omnidirectional GS1 DataBar Stacked GS1 DataBar Truncated GS1-128 MSI PharmaCode UPC-A Add-On 2 UPC-A Add-On 5 UPC-A UPC-E Add-On 2 UPC-E Add-On 5 UPC-E
----------	--

### Supported Codes

2D codes	Data Matrix ECC 200 QR Code Micro QR Code PDF417 Aztec Code DotCode GS1 DataMatrix GS1 QR Code GS1 Aztec Code GS1 DotCode
Font	Sans serif fonts (or similar to: OCR-A, OCR-B, Arial, Tahoma, Courier, Univers, Frutiger, Verdana, Bookman, Franklin Gothic Book, Garamond, Nimbus San T, Palatino, Linotype, Sylfaen, Times New Roman, DIN 1451 Mittelschrift, DIN Neuzzeit Grotesk LT Light, ITC Officina Sans, LT Book, Farrington 7B etc.) Dot Print Characters: A-Z a-z 0-9 + - . : / ( )

### Optical properties

Reading distance (front edge)	100 ... 1000 mm
Field of View min.	23 x 14 mm
Field of View max.	240 x 150 mm
Min. modul size 1D	0.03 mm / 1.2 mil
Min. modul size 2D	0.06 mm / 2.3 mil
Decoding rate max.	40 codes per second at 1MP
Image sensor	CMOS-Sensor, monochrome, global Shutter
Resolution	1280 x 800 (1MP)
Focal length	16 mm
Focus	Electromechanical auto focus

# IDC230.W16

Camera based multicode reader for 1D, 2D codes and text (OCR) - Focal length 16 mm

Article number: 11727457

## Technical data

### Optical properties

Light source	LED illumination with 16 LED, 4 segments individually switchable
--------------	--

### Display and controls

Indicator ring	4 RGB LED for pass / fail etc.
Pointer	Green (570 nm), approximate center of image
Display	OLED, 128 x 64 pixels, 0.96" with burn-in protection
Buttons	2 pcs qTeach buttons

### Interfaces and connectors

Software / parametrisation	Integrated Webserver for parametrisation
Interface	Gigabit Ethernet, 3/3 digitale I/O, USB (Parametrisierung und HID)
Protocols	PROFINET (CC-A), Ethernet/IP, TCP, FTP, SFTP, USB-HID (virtual keyboard)

### Electrical data

Voltage supply range +Vs	+ 24 VDC $\pm$ 20 % , reverse polarity protected
Power supply	Typ. 5.5 W (1.2 A max. at 24 V)
Electrical connection	M12, 12-pin, A-coded, male

### Electrical data

Ethernet connection	1000-Mbit/s-Ethernet, M12, 8-pin, X-coded, socket
USB Connection	Type C (HID, parametrization)

### Mechanical data

Dimensions (W x H x D)	50 mm x 52 mm x 50 mm
Weight	350 g

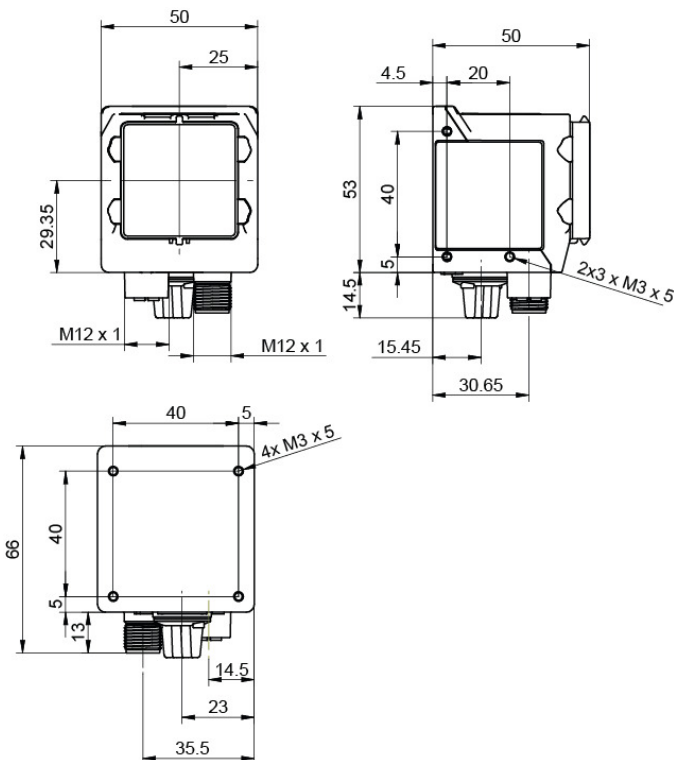
### Ambient conditions

Ambient temperature	0 ... + 45 °C
Storage temperature	- 10 ... + 60 °C
Ambient humidity	0 ... 85 %
Protection class (IEC 60529)	IP 67
Vibration (sinusoidal)	1 mm p-p at f = 10 - 55 Hz, duration 5 min per axis 30 min endurance at f = 55 Hz per axis IEC 60068-2-6:2008
Shock (semi-sinusoidal)	30 g / 11 ms, 6 jolts per axis and direction IEC 60068-2-27:2009

### Conformity

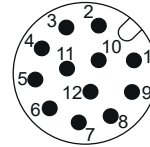
Conformity	CE
------------	----

## Dimension drawing



## Pin assignment

Electrical connection: Connector M12, 12-pin, A-coded



Pin	Signal
1	Power (+24 VDC $\pm$ 20%)/2L
2	Ground/2M
3	IN1 (Trigger)
4	IN2
5	IN3
6	OUT1
7	(not used)
8	OUT2
9	OUT3
10	(not used)
11	(not used)
12	(not used)

# IDC230.W16

Camera based multicode reader for 1D, 2D codes and text (OCR) - Focal length 16 mm

Article number: 11727457

## Pin assignment

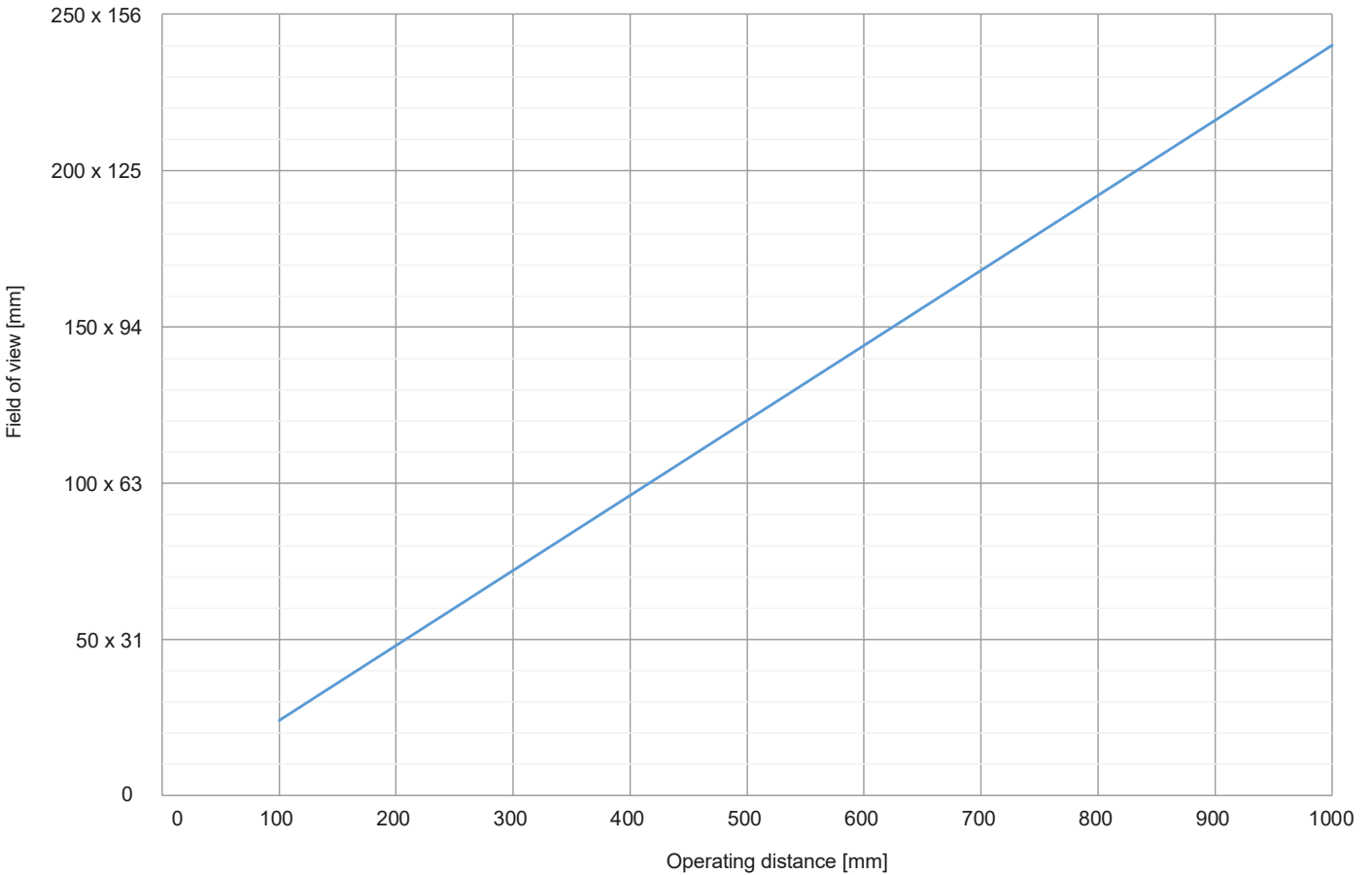
Ethernet connection: GigE, socket M12, 8-pin, X-coded



Pin	Signal
1	RX+
2	RX-
3	TX+
4	TX-
5	-VDC
6	-VDC
7	+VDC
8	+VDC

## Diagrams

### Field of view



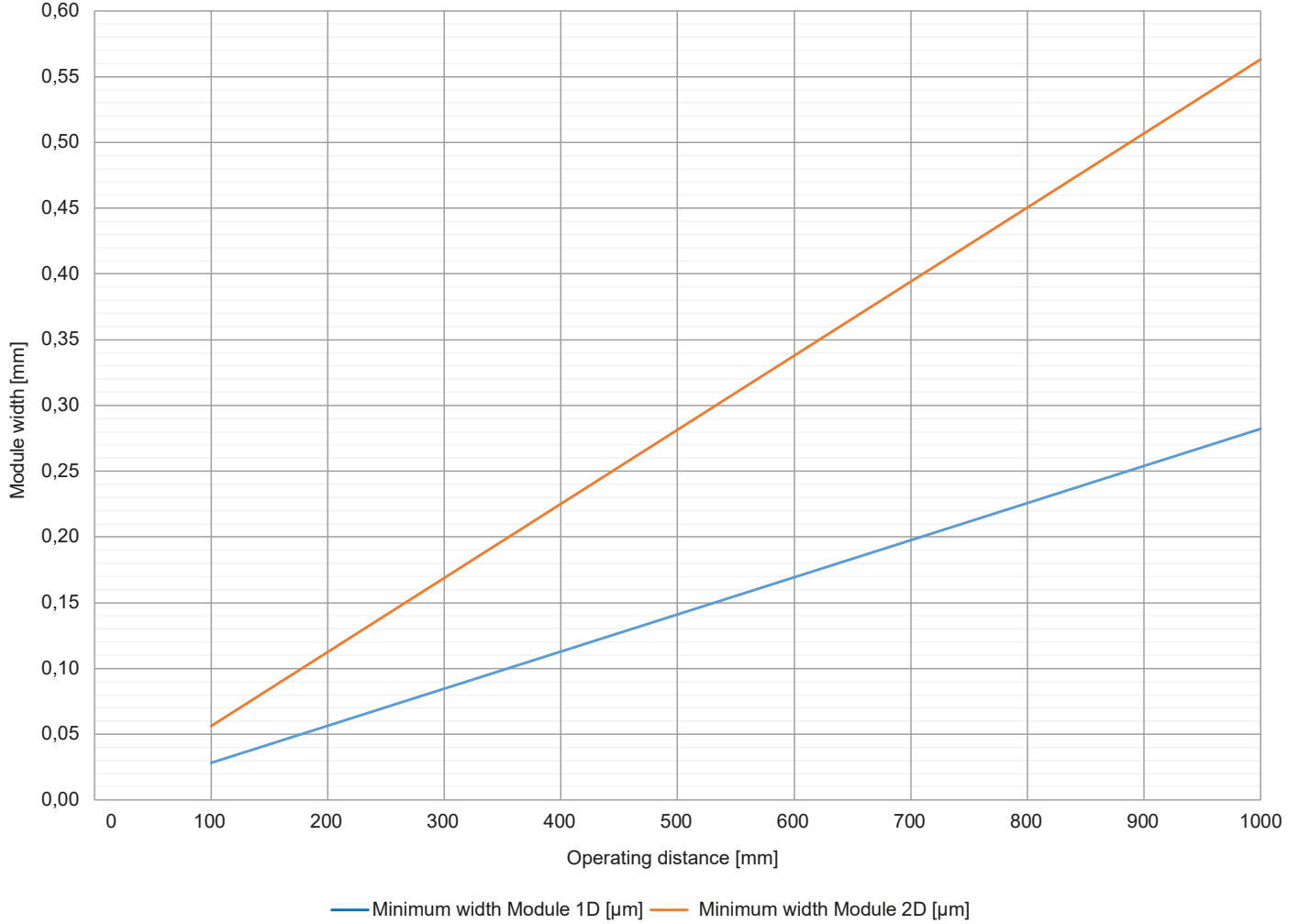
# IDC230.W16

Camera based multicode reader for 1D, 2D codes and text (OCR) - Focal length 16 mm

Article number: 11727457

## Diagrams

### Minimum module width



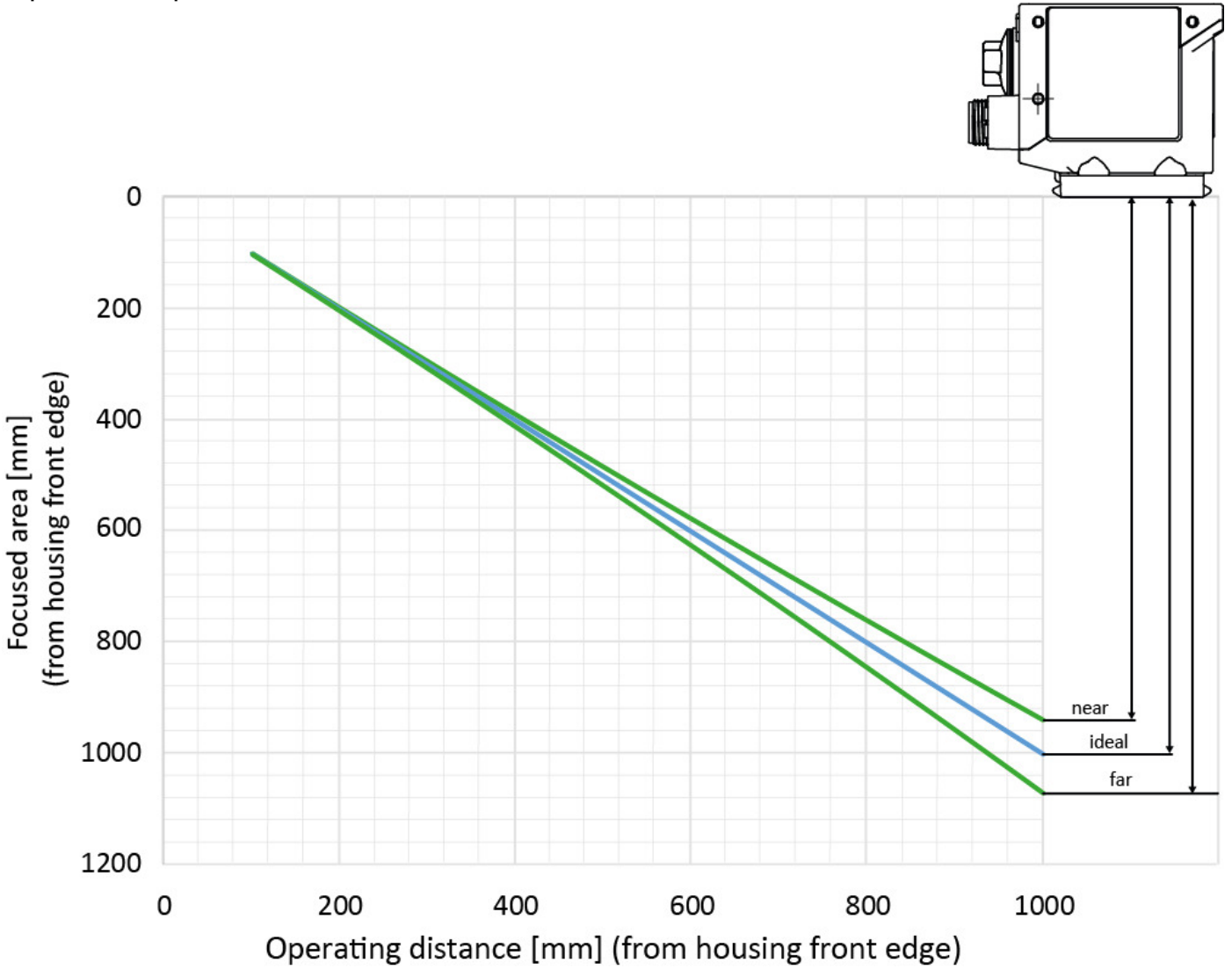
# IDC230.W16

Camera based multicode reader for 1D, 2D codes and text (OCR) - Focal length 16 mm

Article number: 11727457

**Diagrams**

**Depth of focus at operation distance**



2024-06-19 The product features and technical data specified do not express or imply any warranty. Technical modifications subject to change.