

Housing base set C V4A VCXG.I r IP65/67

Article number: 11704019

Overview

- Stainless steel cylindric housing corpus to modularly house VCXG.I cameras, IP65/57 protection for Pharma as well as Food & Beverage applications
- Optional: M62 Tube extension with Tube Module 6 mm M62 V4A (11704016), Tube Module 12 mm M62 V4A (11704015) or Tube Module 36 mm M62 V4A (11704014). Use of several tube modules possible.
- Rear side prepared for mounting via DN50 clamp
- tube thread: M62
- length 90,5 mm
- To be ordered separately: stainless steel lens protection Tube M62 V4A PMMA (11704017) necessary to close the housing



Picture similar

Technical data

Mechanical data

Inner diameter	53 mm
External diameter	65 mm
Max. lens length	90.5 mm
Weight	≤ 832 g

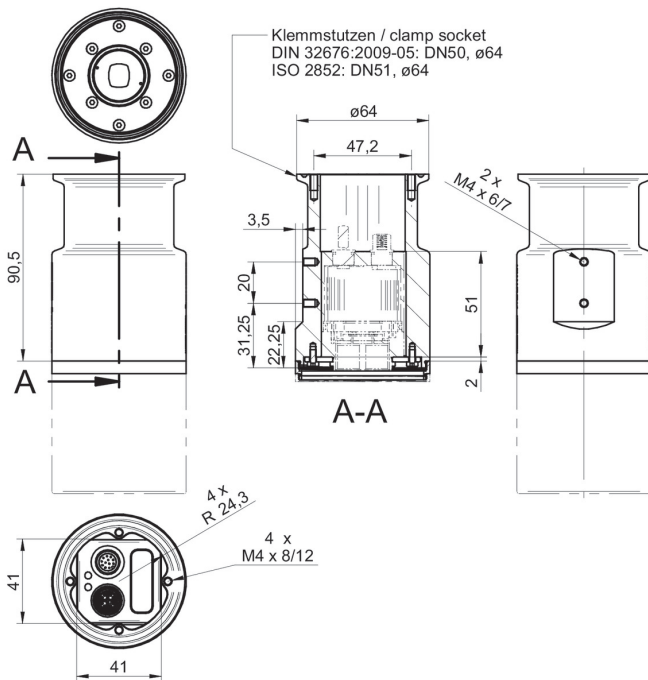
Mechanical data

Thread	M62 × 0,75
Material	Stainless steel 1.4404
Sealing	EPDM (inside only)

Environmental conditions

Operating temperature	-15 ... +70 °C
-----------------------	----------------

Dimension drawing



Principle

