

GBA2S

 Blind hollow shaft up to $\varnothing 15$ mm / SSI

Optical singleturn encoders up to 19 bit

Overview

- High resolution encoder singleturn / SSI
- Optical sensing method
- Resolution: max. 19 bit
- Blind hollow shaft $\varnothing 12 \dots \varnothing 15$ mm
- Electronic setting of zero point
- Counting direction input
- Suitable for high positive, negative accelerations
- Available with additional incremental output



Technical data

Technical data - electrical ratings

Voltage supply	10...30 VDC 5 VDC ± 10 %
Reverse polarity protection	Yes
Consumption w/o load	≤ 50 mA (24 VDC) ≤ 80 mA (5 VDC)
Initializing time typ.	20 ms after power on
Interface	SSI Incremental A 90° B (optional)
Function	Singleturn
Steps per revolution	≤ 524288 / 19 bit
Absolute accuracy	$\pm 0.01^\circ$
Sensing method	Optical
Code	Gray or binary
Code sequence	CW/CCW coded by connection
Inputs	SSI clock Control signals UP/DOWN inv. and zero
Output stages	SSI data: linedriver RS485 Diagnostic and incremental outputs
Incremental output	2048 pulses A90°B + inverted
Interference immunity	EN 61000-6-2
Emitted interference	EN 61000-6-4
Diagnostic function	Self-diagnosis

Technical data - electrical ratings

Approval UL approval / E63076

Technical data - mechanical design

Size (flange)	$\varnothing 58$ mm
Shaft type	$\varnothing 12 \dots 15$ mm (blind hollow shaft)
Protection EN 60529	IP 54 IP 65 (optional)
Operating speed	≤ 6000 rpm (mechanical) ≤ 6000 rpm (electric)
Starting torque	≤ 0.015 Nm (+25 °C, IP 54)
Rotor moment of inertia	20 gcm ²
Material	Housing: aluminium Flange: aluminium
Operating temperature	-25...+85 °C -40...+85 °C (optional)
Relative humidity	95 % non-condensing
Resistance	EN 60068-2-6 Vibration ± 0.75 mm - 10-58 Hz, 10 g - 58-2000 Hz EN 60068-2-27 Shock 100 g, 6 ms
Weight approx.	250 g
Connection	Connector M23, 12-pin Cable 1 m

GBA2S

Blind hollow shaft up to $\varnothing 15$ mm / SSI

Optical singleturn encoders up to 19 bit

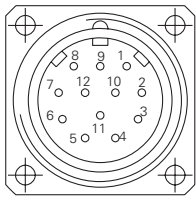
Terminal assignment

GBA2S

Connector	Core colour	Assignment
Pin 1	brown	UB
Pin 2	black	GND
Pin 3	blue	Clock+
Pin 4	beige	Data+
Pin 5	green	Zero setting
Pin 6	yellow	Data-
Pin 7	violet	Clock-
Pin 8	brown/yellow	UBminOK inv.
Pin 9	pink	UP/DOWN inv.
Pin 10-12	-	-

GBA2S with incremental tracks | SinCos

Connector	Core colour	Assignment Incremental	SinCos
Pin 1	brown	UB	UB
Pin 2	white	GND	GND
Pin 3	blue	Clock+	Clock+
Pin 4	green	Data+	Data+
Pin 5	grey	Zero setting	Zero setting
Pin 6	yellow	Data-	Data-
Pin 7	red	Clock-	Clock-
Pin 8	red/blue	Track B inv.	Cosine inv.
Pin 9	pink	UP/DOWN inv.	UP/DOWN inv.
Pin 10	violet	Track A inv.	Sine inv.
Pin 11	black	Track A	Sine
Pin 12	grey/pink	Track B	Cosine



Please use cores twisted in pairs (for example clock+ / clock-) for extension cables of more than 10 m length.

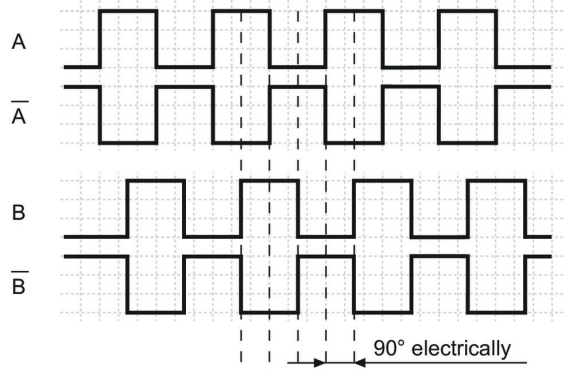
Terminal significance

UB	Encoder voltage supply.
GND	Encoder ground connection relating to UB.
Data+/Data-	Differential SSI data output.
Clock+/Clock-	Differential SSI clock input. Optocoupler or RS422 input.
Zero setting	Input for setting a zero point anywhere within the encoder resolution. The zero setting operation is triggered by a High impulse and has to be in line with the selected direction of rotation (UP/DOWN inv.). Connect to GND after setting operation for maximum interference immunity. Impulse duration ≥ 100 ms.
UBminOK inv.	Diagnostic output. Level low indicates the operating voltage has dropped below the minimum limit.
UP/DOWN inv.	UP/DOWN inv. counting direction input. This input is standard on High. UP/DOWN inv. means ascending output data with clockwise shaft rotation when looking at flange. UP/DOWN inv.-Low means ascending values with counterclockwise shaft rotation when looking at flange.
Incremental Outputs	Incremental tracks A 90° B and inverted.

Output signals

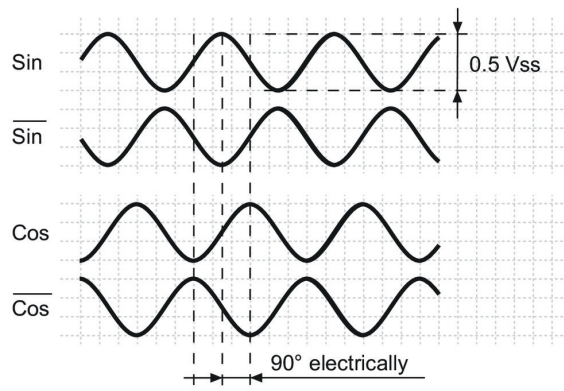
Push-pull and RS422

A leading B when rotating the shaft clockwise and looking at flange.



SinCos

Sin leading Cos when rotating the shaft clockwise and looking at flange.



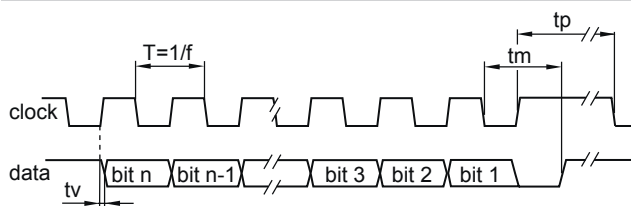
GBA2S

Blind hollow shaft up to $\varnothing 15$ mm / SSI
Optical singleturn encoders up to 19 bit

Trigger level

SSI	Circuit
SSI-Clock	Optocoupler with switching current approx. 7 mA or RS422 with terminating resistor
SSI-Data	Linedriver RS485 or RS422
Control inputs	
Input level High	$>0.7 U_B$
Input level Low	$<0.3 U_B$
Input resistance	10 k Ω
Diagnostic outputs or Incremental outputs	
Output level High	$>U_B - 3.5$ V (I = -20 mA)
Output level Low	<0.5 V (I = 20 mA)
Load High / Low	<20 mA
Incremental outputs	
Output level High	>2.5 V (I = -20 mA)
Output level Low	<0.5 V (I = 20 mA)
Load High / Low	<20 mA
Outputs	
Output level	0.5 V _{pp} ± 10 % (Output signals before difference formation)
Load	<10 mA

Data transfer

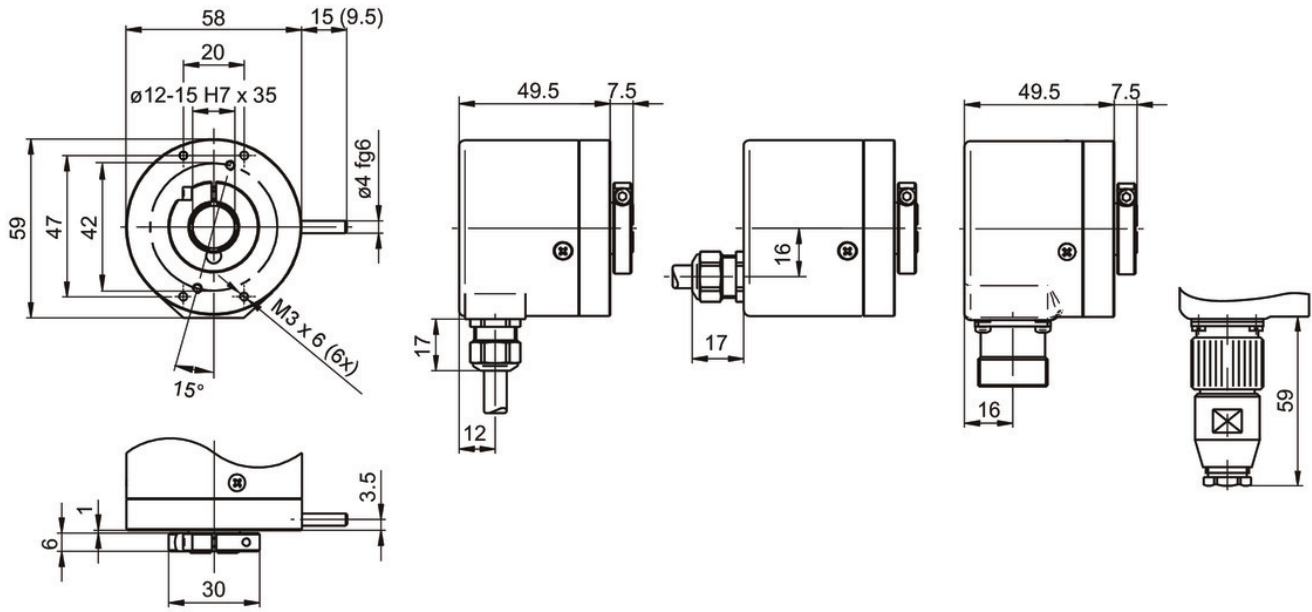


Clock frequency f	62.5...1500 kHz
Duty cycle of T	40...60 %
Delay time tv	150 ns
Monoflop time tm	26 μ s + T/2
Clock interval tp	30 μ s

GBA2S

Blind hollow shaft up to $\varnothing 15$ mm / SSI
Optical singleturn encoders up to 19 bit

Dimensions



GBA2S

Blind hollow shaft up to ø15 mm / SSI

Optical singleturn encoders up to 19 bit

Ordering reference

Product	GBA2S	.	#	###	#	##
Blind hollow shaft						
ø12 mm, without pin						0
ø12 mm, pin 15 mm						1
ø12 mm, pin 9.5 mm						B
ø14 mm, without pin						4
ø14 mm, pin 15 mm						5
ø14 mm, pin 9.5 mm						F
ø15 mm, pin 15 mm / IP 54						U
ø15 mm, without pin / IP 65						W
Voltage supply / Signals						
10...30 VDC, Gray code 18 bit						10
5 VDC, Gray code 18 bit						11
10...30 VDC, binary code 18 bit						12
5 VDC, binary code 18 bit						13
10...30 VDC, Gray code 17 bit						20
5 VDC, Gray code 17 bit						21
10...30 VDC, binary code 17 bit						22
5 VDC, binary code 17 bit						23
10...30 VDC, Gray code 19 bit						30
10...30 VDC, binary code 19 bit						32
Connection						
Connector M23, 12-pin, radial						A1
Connector M23, 12-pin, radial, for incremental output 14/16/17						A5
Cable 1 m, axial						11
Cable 1 m, radial						21
Cable 1 m, axial, for incremental output 14/16/17						71
Cable 1 m, radial, for incremental output 14/16/17						81
Pulses / Incremental output						
No incremental output						05
2048 pulses / push-pull						14
2048 pulses / RS422						16
2048 periods / SinCos ⁽¹⁾						17

(1) On request

GBA2S

Blind hollow shaft up to $\varnothing 15$ mm / SSI

Optical singleturn encoders up to 19 bit

Accessories

Mounting accessories

10139345	Torque support by rubber buffer for encoders with 15 mm pin (Z 119.041)
11003562	Spring coupling for encoders with $\varnothing 58$ mm housing, hole distance 63 mm (Z 119.082)
11201396	Spring coupling, hole distance 32.5 mm (Z 119.101)
11034121	Spring coupling for encoders with $\varnothing 58$ mm housing, hole distance 68 mm (Z 119.073)
10165157	Spring coupling for encoders with $\varnothing 58$ mm housing, hole distance 73 mm (Z 119.072)
11066120	Torque arm, 1-arm (mounting kit 056)
11034106	Spring coupling for motor's fan guard (Z 119.053)
11034123	Spring coupling for one-side attachment, length 115 mm (Z 119.076)
11098229	Clamping ring set 16/30x6 - stainless steel (Z 119.092)