

# FVDM 15P5103

Fiber optic sensors

Article number: 10234520

## Overview

- 240 mm
- 1200 mm
- pulsed infrared diode
- PNP
- potentiometer, 20 turn
- cable 4 pin, 2 m
- -25 ... 65 °C
- IP 65



Picture similar



## Technical data

### General data

|                                     |                        |
|-------------------------------------|------------------------|
| Light source                        | Pulsed infrared diode  |
| Light indicator                     | LED yellow             |
| Alignment / soiled lens indicator   | LED, flashing          |
| Adjustment                          | Potentiometer, 20 turn |
| Wave length                         | 880 nm                 |
| Suppression of reciprocal influence | Yes                    |

### Electrical data

|                                    |               |
|------------------------------------|---------------|
| Response time / release time       | < 1 ms        |
| Voltage supply range +Vs           | 10 ... 30 VDC |
| Current consumption max. (no load) | 46 mA         |
| Current consumption typ.           | 30 mA         |
| Voltage drop Vd                    | <1.8 VDC      |

### Electrical data

|                             |                      |
|-----------------------------|----------------------|
| Output function             | Light / dark operate |
| Output circuit              | PNP                  |
| Output current              | 200 mA               |
| Short circuit protection    | Yes                  |
| Reverse polarity protection | Yes                  |

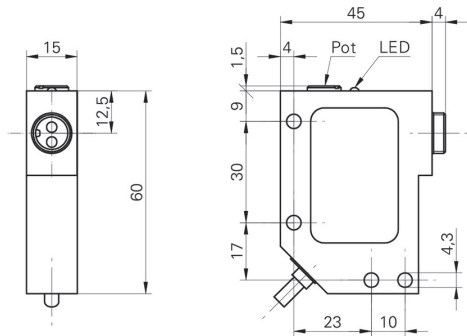
### Mechanical data

|                  |                   |
|------------------|-------------------|
| Width / diameter | 15 mm             |
| Height / length  | 60 mm             |
| Depth            | 45 mm             |
| Design           | Rectangular       |
| Housing material | Die-cast aluminum |
| Connection types | Cable 4 pin, 2 m  |

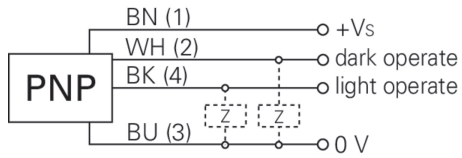
### Ambient conditions

|                       |                |
|-----------------------|----------------|
| Operating temperature | -25 ... +65 °C |
| Protection class      | IP 65          |

## Dimension drawing



## Connection diagram



## Accessories

### Mounting accessories

|          |          |
|----------|----------|
| 10103415 | 10103415 |
|----------|----------|

### Lenses and components

|          |  |
|----------|--|
| 10103230 | Replacement cap nut for fiber optics series 15 |
|----------|--|