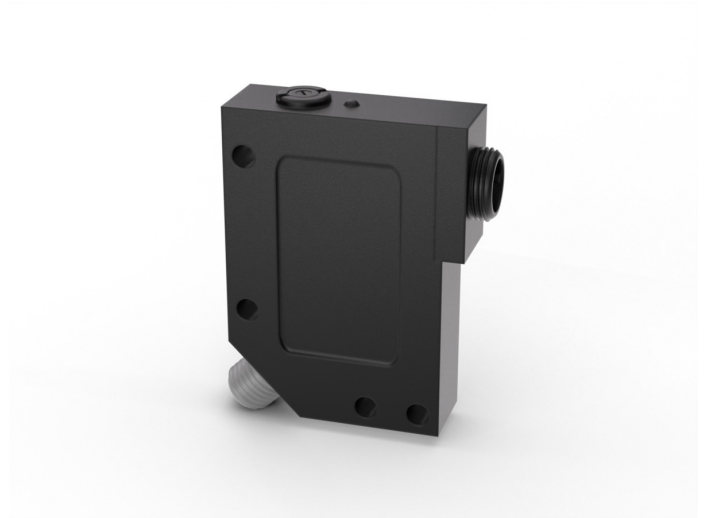


Overview

- 240 mm
- 1200 mm
- pulsed infrared diode
- PNP
- potentiometer, 20 turn
- connector M12 4 pin
- -25 ... 65 °C
- IP 65



Picture similar



Technical data

General data

Light source	Pulsed infrared diode
Light indicator	LED yellow
Alignment / soiled lens indicator	LED, flashing
Adjustment	Potentiometer, 20 turn
Wave length	880 nm
Suppression of reciprocal influence	Yes

Electrical data

Response time / release time	< 1 ms
Voltage supply range +Vs	10 ... 30 VDC
Current consumption max. (no load)	46 mA
Current consumption typ.	30 mA
Voltage drop Vd	<1.8 VDC

Electrical data

Output function	Light / dark operate
Output circuit	PNP
Output current	200 mA
Short circuit protection	Yes
Reverse polarity protection	Yes

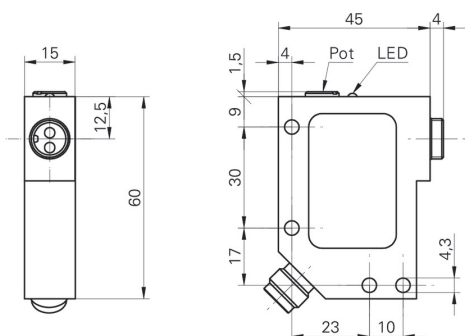
Mechanical data

Width / diameter	15 mm
Height / length	60 mm
Depth	45 mm
Design	Rectangular
Housing material	Die-cast aluminum
Connection types	Connector M12 4 pin

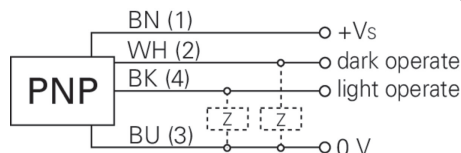
Ambient conditions

Operating temperature	-25 ... +65 °C
Protection class	IP 65

Dimension drawing



Connection diagram



Accessories

Mounting accessories

10103415	10103415
----------	----------

Lenses and components

10103230	Replacement cap nut for fiber optics series 15
----------	--