

FUF 050A2011

Glass fiber optic cable

Article number: 10229240

Overview

- Diffuse type
- Sensing distance up to 115 mm
- Cylindrical smooth sensing head $\varnothing 4$ mm
- Metal jacket 50 cm long long
- Operating temperature up to +250 °C
- For rugged fiber optic sensors FZAM 18 and FZAM 30



Picture similar

Technical data

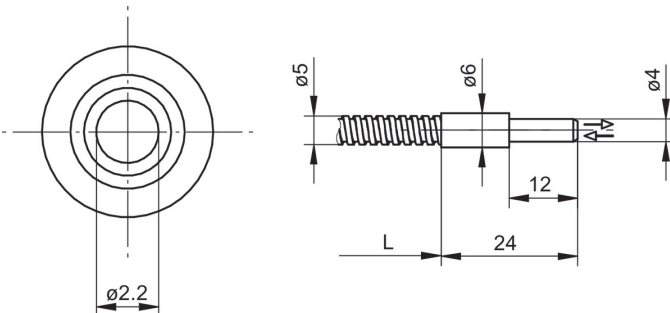
General data

| | |
|---|---------------------|
| Particular characteristics | Smooth sensing head |
| Operating principle | Diffuse type |
| Sensing distance Tw | 115 mm |
| Fiber optic head | Cylindrical smooth |
| Operating temperature | -25 ... +250 °C |
| Exit angle | 60° |
| Fiber optics can be shortened to length | No |
| Integrated lens | No |
| Adaptable lens | No |
| Infrared light compatibility (1450 nm) | Yes |

Mechanical data

| | |
|------------------------------|-----------------------|
| Width / diameter (head) | 4 mm |
| Height / length (head) | 24 mm |
| Material (head) | Aluminum |
| Bending radius (fixed) | 15 mm |
| Bending radius (mobile) | 30 mm |
| Cable jacket diameter | 5 mm |
| Material cable jacket | Brass chromium plated |
| Fiber cross section | 2 mm ² |
| Material (fiber optic cable) | Glass |
| Length (fiber optic cable) | 50 cm |

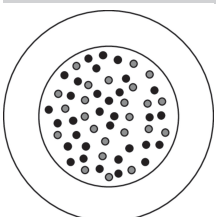
Dimension drawing



Sensing distance diagram

| Sensor | Sensing Distance Tw [mm] |
|-----------------------------|--------------------------|
| FZAM 30x5004 | 115 |
| FZAM 30x5001 | 60 |
| FZAM 18x1150 & FZAM 18x6460 | 80 |
| FZAM 18x1155 | 35 |

Fiber arrangement



Accessories**Fitting fiber optic sensors**

| | |
|----------|------------------|
| 10129020 | FZAM 18N1150 |
| 10129021 | FZAM 18N1150/S14 |
| 10129023 | FZAM 18N1155 |
| 10128874 | FZAM 18N6460 |
| 10128875 | FZAM 18N6460/S14 |
| 10127712 | FZAM 18P1150 |
| 10128111 | FZAM 18P1150/S14 |
| 10127711 | FZAM 18P1155 |
| 10128118 | FZAM 18P6460 |
| 10127710 | FZAM 18P6460/S14 |
| 10215060 | FZAM 30N5004 |
| 10214166 | FZAM 30P5001 |
| 10215057 | FZAM 30P5004 |

Mounting accessories

| | |
|----------|---|
| 10102757 | Adapter series 30 |
| 10101958 | Adjusting plate series 18 |
| 10101480 | Replacements cap nut for fiber optics series 18 |
| 10102801 | Cap nut for sensors series 30 |