

FUF 050A2003

Glass fiber optic cable

Article number: 10210846

Overview

- Diffuse type
- Sensing distance up to 210 mm
- Cylindrical smooth sensing head $\varnothing 6$ mm
- Metal jacket 50 cm long
- Operating temperature up to +250 °C
- For rugged fiber optic sensors FZAM 18 and FZAM 30

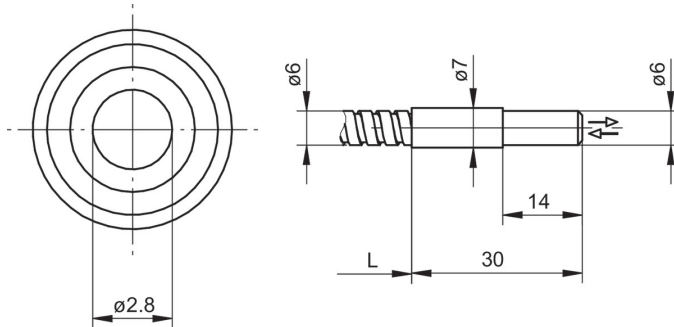


Picture similar

Technical data

General data		Mechanical data	
Particular characteristics	Smooth sensing head	Width / diameter (head)	6 mm
Operating principle	Diffuse type	Height / length (head)	30 mm
Sensing distance Tw	210 mm	Material (head)	Aluminum
Fiber optic head	Cylindrical smooth	Bending radius (fixed)	20 mm
Operating temperature	-25 ... +250 °C	Bending radius (mobile)	36 mm
Exit angle	60°	Cable jacket diameter	6 mm
Fiber optics can be shortened to length	No	Material cable jacket	Brass chromium plated
Integrated lens	No	Fiber cross section	3 mm ²
Adaptable lens	No	Material (fiber optic cable)	Glass
Infrared light compatibility (1450 nm)	Yes	Length (fiber optic cable)	50 cm

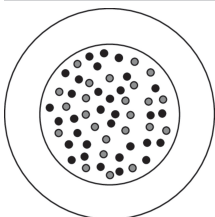
Dimension drawing



Sensing distance diagram

Sensor	Sensing Distance Tw [mm]
FZAM 30x5004	210
FZAM 30x5001	100
FZAM 18x1150 & FZAM 18x6460	150
FZAM 18x1155	60

Fiber arrangement



Accessories**Fitting fiber optic sensors**

10129020	FZAM 18N1150
10129021	FZAM 18N1150/S14
10129023	FZAM 18N1155
10128874	FZAM 18N6460
10128875	FZAM 18N6460/S14
10127712	FZAM 18P1150
10128111	FZAM 18P1150/S14
10127711	FZAM 18P1155
10128118	FZAM 18P6460
10127710	FZAM 18P6460/S14
10215060	FZAM 30N5004
10214166	FZAM 30P5001
10215057	FZAM 30P5004

Mounting accessories

10102757	Adapter series 30
10101958	Adjusting plate series 18
10101480	Replacements cap nut for fiber optics series 18
10102801	Cap nut for sensors series 30