

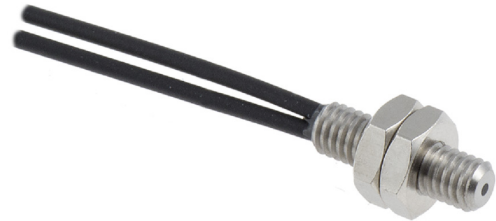
# FUE 200F1Y00

Plastic fiber optic cable

Article number: 10144391

## Overview

- Diffuse type
- Sensing distance up to 150 mm
- Threaded sensing head M3
- Bend-tolerant plastic fiber 200 cm long, suitable for flexible cable carriers
- Operating temperature up to +70 °C
- For compact fiber optic sensors FVDK 10 and OF10



Picture similar

## Technical data

### General data

Particular characteristics Ultra flexible  
Suitable for flexible cable carriers

Operating principle Diffuse type

Sensing distance  $T_w$  20 mm

Fiber optic head Cylindrical threaded

Operating temperature -30 ... +70 °C

Exit angle 60°

Fiber optics can be shortened to length Yes

Integrated lens No

Adaptable lens No

Infrared light compatibility (1450 nm) No

### General data

Smallest object recognizable 0.005 mm

### Mechanical data

Width / diameter (head) 3 mm

Height / length (head) 10 mm

Material (head) Stainless steel

Thread M3 x 0.5

Bending radius (fixed) 4 mm

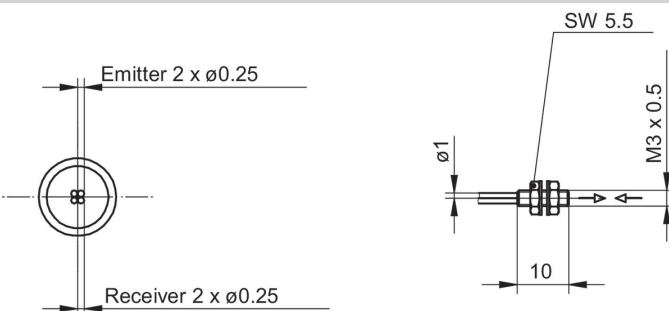
Cable jacket diameter 1 mm

Material cable jacket PE

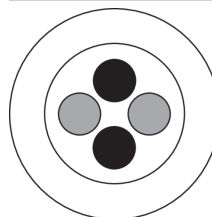
Material (fiber optic cable) Plastic

Length (fiber optic cable) 200 cm

## Dimension drawing



## Fiber arrangement

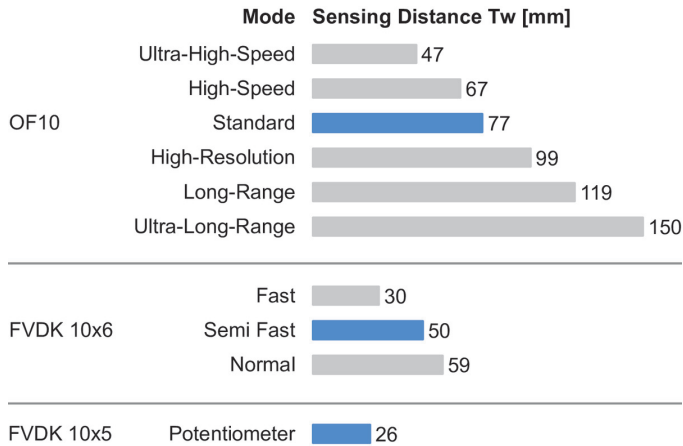


# FUE 200F1Y00

Plastic fiber optic cable

Article number: 10144391

## Sensing distance diagram



## Accessories

### Fitting fiber optic sensors

11252204	OF10.FR-GW2J.B2NV/A014
11244386	OF10.FR-GW2J.B2CV/A014
11224111	OF10.FR-PW1B.B2N
11224008	OF10.FR-NW1B.B2CV
11224009	OF10.FR-NW1B.B2N
11224110	OF10.FR-PW1B.B2CV
11244384	OF10.FR-GW2J.B2N/A014
10162867	FVDK 10N5101
10162865	FVDK 10N5101/S35A
10162866	FVDK 10P5101
10162864	FVDK 10P5101/S35A
11045446	FVDK 10N66Y0
11045448	FVDK 10N66Y0/S35A
11045460	FVDK 10N66YR
11045445	FVDK 10P66Y0
11045447	FVDK 10P66Y0/S35A
11045449	FVDK 10P66YR
11214490	FVDK 10P66ZR
11214493	FVDK 10P66Z0/S35A
11214478	FVDK 10P66Z0
11214492	FVDK 10N66ZR
11214494	FVDK 10N66Z0/S35A
11214479	FVDK 10N66Z0
11045462	FVDK 10N66YM
11045464	FVDK 10N66YS
11045461	FVDK 10P66YM
11045463	FVDK 10P66YS

### Mounting accessories

10114652	Cutting tool for plastic fiber optics
10119912	Mounting bracket Ø 1,1 mm

### Lenses and components

10140260	Reduction tube
----------	----------------