

FUE 200C2003

Plastic fiber optic cable

Article number: 10123465

Overview

- Diffuse type
- Sensing distance up to 318 mm
- Cylindrical smooth sensing head $\varnothing 6$ mm
- Plastic fiber 200 cm long
- Operating temperatures up to +70 °C
- For compact fiber optic sensors FVDK 10 and OF10



Picture similar

Technical data

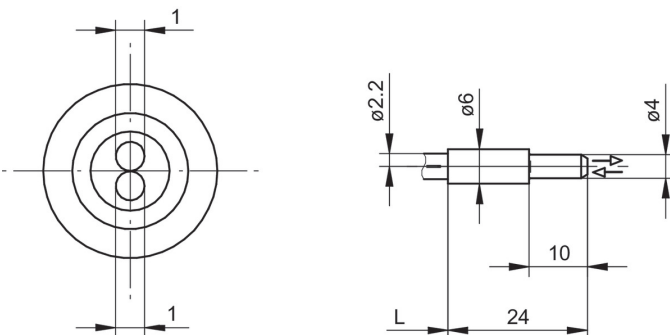
General data

| | |
|---|---------------------|
| Particular characteristics | Smooth sensing head |
| Operating principle | Diffuse type |
| Sensing distance Tw | 318 mm |
| Fiber optic head | Cylindrical smooth |
| Operating temperature | -30 ... +70 °C |
| Exit angle | 60° |
| Fiber optics can be shortened to length | Yes |
| Integrated lens | No |
| Adaptable lens | No |
| Infrared light compatibility (1450 nm) | No |

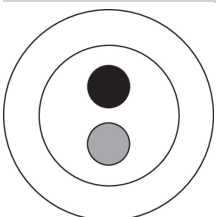
Mechanical data

| | |
|------------------------------|----------|
| Diameter Fiber | 1 mm |
| Width / diameter (head) | 6 mm |
| Height / length (head) | 24 mm |
| Material (head) | Aluminum |
| Bending radius (fixed) | 30 mm |
| Bending radius (mobile) | 15 mm |
| Cable jacket diameter | 2.2 mm |
| Material cable jacket | PE |
| Material (fiber optic cable) | Plastic |
| Length (fiber optic cable) | 200 cm |

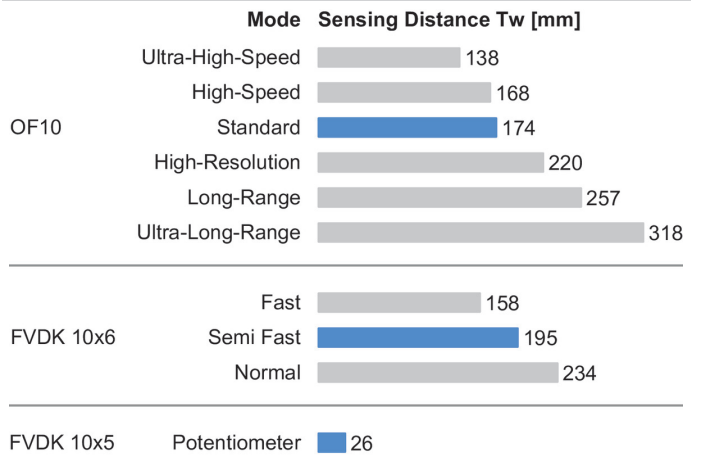
Dimension drawing



Fiber arrangement



Sensing distance diagram



Accessories

Fitting fiber optic sensors

| | |
|----------|------------------------|
| 11252204 | OF10.FR-GW2J.B2NV/A014 |
| 11244386 | OF10.FR-GW2J.B2CV/A014 |
| 11224111 | OF10.FR-PW1B.B2N |
| 11224008 | OF10.FR-NW1B.B2CV |
| 11224009 | OF10.FR-NW1B.B2N |
| 11224110 | OF10.FR-PW1B.B2CV |
| 11244384 | OF10.FR-GW2J.B2N/A014 |
| 10162867 | FVDK 10N5101 |
| 10162865 | FVDK 10N5101/S35A |
| 10162866 | FVDK 10P5101 |
| 10162864 | FVDK 10P5101/S35A |
| 11045446 | FVDK 10N66Y0 |
| 11045448 | FVDK 10N66Y0/S35A |
| 11045460 | FVDK 10N66YR |
| 11045445 | FVDK 10P66Y0 |
| 11045447 | FVDK 10P66Y0/S35A |
| 11045449 | FVDK 10P66YR |
| 11214490 | FVDK 10P66ZR |
| 11214493 | FVDK 10P66Z0/S35A |
| 11214478 | FVDK 10P66Z0 |
| 11214492 | FVDK 10N66ZR |
| 11214494 | FVDK 10N66Z0/S35A |
| 11214479 | FVDK 10N66Z0 |
| 11045462 | FVDK 10N66YM |
| 11045464 | FVDK 10N66YS |
| 11045461 | FVDK 10P66YM |
| 11045463 | FVDK 10P66YS |

Mounting accessories

| | |
|----------|---|
| 10114652 | Cutting tool for plastic fiber optics |
| 10156738 | Fiber optic cable extension 2 m |
| 10158142 | Fiber optic cable extension 5 m |
| 10145523 | Fiber optic cable extension 5 m highly flexible |