

产品要点

- 漫反射式传感器
- 标准
- -30 ... 70 °C

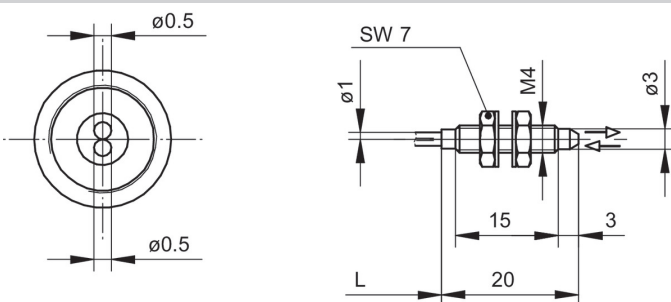


图片与实际产品类似

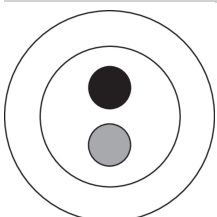
技术数据

基本参数		机械参数	
Operating principle	Diffuse type	Diameter Fiber	0,5 mm
Sensing distance Tw	178 mm	宽度 / 直径 (感应头)	4 mm
感应头类型 (光纤)	圆柱形 · 螺纹版	高度 / 长度 (感应头)	20 mm
工作温度	-30 ... +70 °C	感应头材质	黄铜
出光角	60°	螺纹	M4 x 0.7
Fiber optics can be shortened to length	Yes	Bending radius (fixed)	15 mm
Integrated lens	No	Bending radius (mobile)	8 mm
Adaptable lens	No	电缆护套直径	1,1 mm
Infrared light compatibility (1450 nm)	No	电缆护套材质	PE
Smallest object recognizable	0,1 mm	光纤材质	塑料
		长度 (光纤)	200 cm

尺寸图



Fiber arrangement



感应距离示意图

	Mode	Sensing Distance Tw [mm]
OF10	Ultra-High-Speed	63
	High-Speed	85
	Standard	93
	High-Resolution	122
	Long-Range	146
FVDK 10x6	Ultra-Long-Range	178
	Fast	36
	Semi Fast	59
FVDK 10x5	Normal	70
	Potentiometer	26

附件
Fitting fiber optic sensors

11252204	OF10.FR-GW2J.B2NV/A014
11244386	OF10.FR-GW2J.B2CV/A014
11224111	OF10.FR-PW1B.B2N
11224008	OF10.FR-NW1B.B2CV
11224009	OF10.FR-NW1B.B2N
11224110	OF10.FR-PW1B.B2CV
11244384	OF10.FR-GW2J.B2N/A014
10162867	FVDK 10N5101
10162865	FVDK 10N5101/S35A
10162866	FVDK 10P5101
10162864	FVDK 10P5101/S35A
11045446	FVDK 10N66Y0
11045448	FVDK 10N66Y0/S35A
11045460	FVDK 10N66YR
11045445	FVDK 10P66Y0
11045447	FVDK 10P66Y0/S35A
11045449	FVDK 10P66YR
11214490	FVDK 10P66ZR
11214493	FVDK 10P66Z0/S35A
11214478	FVDK 10P66Z0
11214492	FVDK 10N66ZR
11214494	FVDK 10N66Z0/S35A
11214479	FVDK 10N66Z0
11045462	FVDK 10N66YM
11045464	FVDK 10N66YS
11045461	FVDK 10P66YM
11045463	FVDK 10P66YS

安装附件

10114652	Cutting tool for plastic fiber optics
----------	---------------------------------------

Lenses and components

10140260	Reduction tube
----------	----------------