

FUE 050B2011

Glass fiber optic cable

Article number: 10217069

Overview

- Diffuse type
- Sensing distance up to 100 mm
- Cylindrical smooth sensing head $\varnothing 4$ mm
- Plastic jacket 50 cm long
- Operating temperature up to +70 °C
- For rugged fiber optic sensors FVDM 15

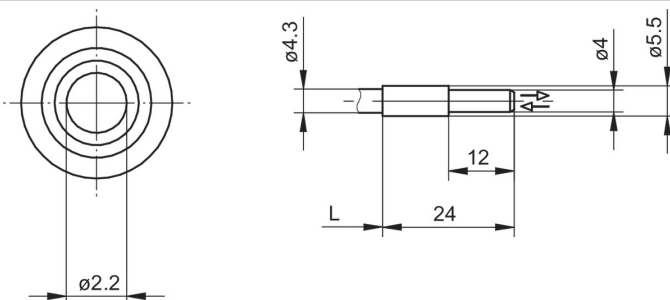


Picture similar

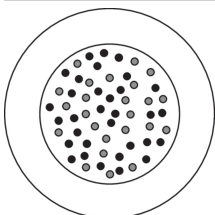
Technical data

General data		Mechanical data	
Particular characteristics	Smooth sensing head	Width / diameter (head)	4 mm
Operating principle	Diffuse type	Height / length (head)	24 mm
Sensing distance T_w	100 mm	Material (head)	Aluminum
Fiber optic head	Cylindrical smooth	Bending radius (fixed)	13.5 mm
Operating temperature	-25 ... +70 °C	Bending radius (mobile)	27 mm
Exit angle	60°	Cable jacket diameter	4.5 mm
Fiber optics can be shortened to length	No	Material cable jacket	PUR
Integrated lens	No	Fiber cross section	2 mm ²
Adaptable lens	No	Material (fiber optic cable)	Glass
Infrared light compatibility (1450 nm)	Yes	Length (fiber optic cable)	50 cm

Dimension drawing



Fiber arrangement



Accessories**Fitting fiber optic sensors**

10234639	FVDM 15N5103
10122368	FVDM 15N5103/S14
10234520	FVDM 15P5103
10239451	FVDM 15P5103/S14
10234519	FVDM 15P5130
10124952	FVDM 15P5130/S14

Mounting accessories

10103230	Replacement cap nut for fiber optics series 15
----------	--