

Overview



Picture similar

Technical data

General data

Operating principle	Through-beam type
Actual range Sb	140 mm
Fiber optic head	Rectangular
Operating temperature	-30 ... +70 °C

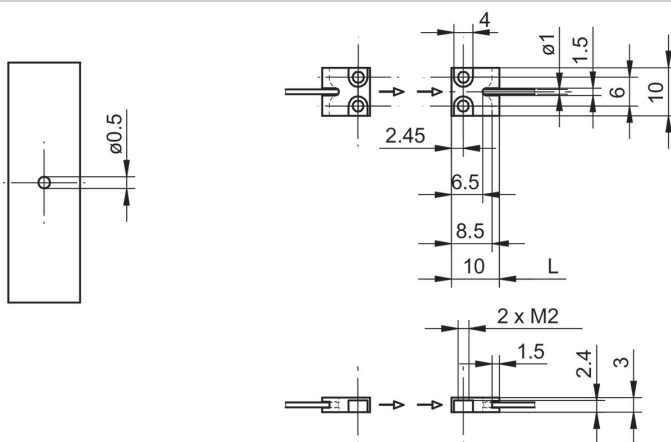
Mechanical data

Width / diameter (head)	10 mm
Height / length (head)	10 mm

Mechanical data

Depth (head)	3 mm
Material (head)	Brass nickel plated
Bending radius (fixed)	1 mm
Cable jacket diameter	1 mm
Material cable jacket	PE
Material (fiber optic cable)	Plastic
Length (fiber optic cable)	200 cm

Dimension drawing



Accessories
Fitting fiber optic sensors

11252204	OF10.FR-GW2J.B2NV/A014
11244386	OF10.FR-GW2J.B2CV/A014
11224111	OF10.FR-PW1B.B2N
11224008	OF10.FR-NW1B.B2CV
11224009	OF10.FR-NW1B.B2N
11224110	OF10.FR-PW1B.B2CV
11244384	OF10.FR-GW2J.B2N/A014
10162867	FVDK 10N5101
10162865	FVDK 10N5101/S35A
10162866	FVDK 10P5101
10162864	FVDK 10P5101/S35A
11045446	FVDK 10N66Y0
11045448	FVDK 10N66Y0/S35A
11045460	FVDK 10N66YR
11045445	FVDK 10P66Y0
11045447	FVDK 10P66Y0/S35A
11045449	FVDK 10P66YR
11214490	FVDK 10P66ZR
11214493	FVDK 10P66Z0/S35A
11214478	FVDK 10P66Z0
11214492	FVDK 10N66ZR
11214494	FVDK 10N66Z0/S35A
11214479	FVDK 10N66Z0
11045462	FVDK 10N66YM
11045464	FVDK 10N66YS
11045461	FVDK 10P66YM
11045463	FVDK 10P66YS

Mounting accessories

10114652	Cutting tool for plastic fiber optics
10119912	Mounting bracket Ø 1,1 mm

Lenses and components

10140260	Reduction tube
----------	----------------