

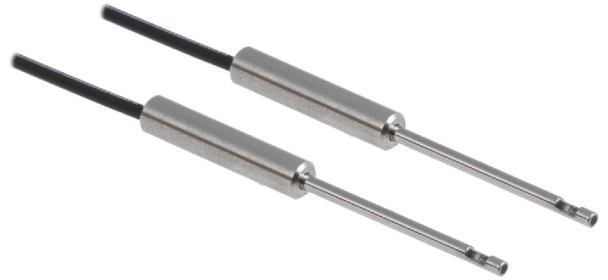
FSE 200D4Y00

Plastic fiber optic cable

Article number: 10135344

Overview

- Through-beam type
- Actual range up to 558 mm
- Cylindrical smooth sensing head $\varnothing 2.5$ mm, with thin sleeve $\varnothing 1$ mm, side view
- Plastic fiber 200 cm long
- Operating temperature up to +70 °C
- For compact fiber optic sensors FVDK 10 and OF10



Picture similar

Technical data

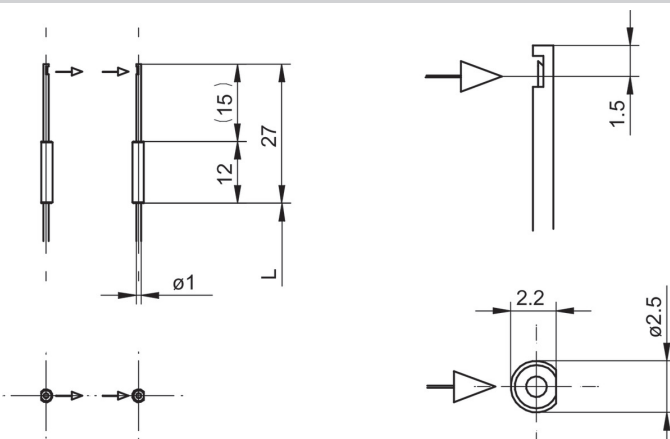
General data

Particular characteristics	Smooth sensing head Fine sleeve
Operating principle	Through-beam type
Actual range Sb	558 mm
Fiber optic head	Cylindrical smooth with sleeve, side view
Operating temperature	-30 ... +70 °C
Exit angle	60°
Fiber optics can be shortened to length	Yes
Integrated lens	No
Adaptable lens	No
Infrared light compatibility (1450 nm)	No

Mechanical data

Diameter Fiber	0.5 mm
Width / diameter (head)	2.5 mm
Height / length (head)	27 mm
Material (head)	Stainless steel
Bending radius (fixed)	15 mm
Cable jacket diameter	1 mm
Material cable jacket	PE
Material (fiber optic cable)	Plastic
Length (fiber optic cable)	200 cm

Dimension drawing



Actual range diagram

	Mode	Actual Range Sb [mm]
OF10	Ultra-High-Speed	153
	High-Speed	208
	Standard	231
	High-Resolution	337
	Long-Range	419
FVDK 10x6	Ultra-Long-Range	558
	Fast	146
	Semi Fast	244
FVDK 10x5	Normal	285
	Potentiometer	32

FSE 200D4Y00

Plastic fiber optic cable

Article number: 10135344

Accessories

Fitting fiber optic sensors

11252204	OF10.FR-GW2J.B2NV/A014
11244386	OF10.FR-GW2J.B2CV/A014
11224111	OF10.FR-PW1B.B2N
11224008	OF10.FR-NW1B.B2CV
11224009	OF10.FR-NW1B.B2N
11224110	OF10.FR-PW1B.B2CV
11244384	OF10.FR-GW2J.B2N/A014
10162867	FVDK 10N5101
10162865	FVDK 10N5101/S35A
10162866	FVDK 10P5101
10162864	FVDK 10P5101/S35A
11045446	FVDK 10N66Y0
11045448	FVDK 10N66Y0/S35A
11045460	FVDK 10N66YR
11045445	FVDK 10P66Y0
11045447	FVDK 10P66Y0/S35A
11045449	FVDK 10P66YR
11214490	FVDK 10P66ZR
11214493	FVDK 10P66Z0/S35A
11214478	FVDK 10P66Z0
11214492	FVDK 10N66ZR
11214494	FVDK 10N66Z0/S35A
11214479	FVDK 10N66Z0
11045462	FVDK 10N66YM
11045464	FVDK 10N66YS
11045461	FVDK 10P66YM
11045463	FVDK 10P66YS

Mounting accessories

10114652	Cutting tool for plastic fiber optics
10119912	Mounting bracket Ø 1,1 mm

Lenses and components

10140260	Reduction tube
----------	----------------