

FSE 200C6Y00

Plastic fiber optic cable

Article number: 10151375

Overview

- Through-beam type (array)
- Actual range up to 1364 mm
- Rectangular sensing head, array width 5.25 mm
- Bend-tolerant plastic fiber 200 cm long, suitable for flexible cable carriers
- Operating temperature up to +70 °C
- For compact fiber optic sensors FVDK 10 and OF10



Picture similar

Technical data

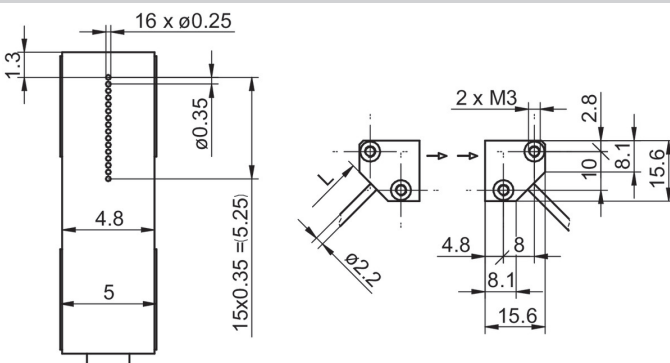
General data

Particular characteristics	Array (fine light barrier) Suitable for flexible cable carriers
Operating principle	Through-beam type
Actual range Sb	1364 mm
Fiber optic head	Rectangular
Operating temperature	-30 ... +70 °C
Exit angle	60°
Fiber optics can be shortened to length	Yes
Integrated lens	No
Adaptable lens	No
Infrared light compatibility (1450 nm)	No

Mechanical data

Array width	5.25 mm
Width / diameter (head)	15.6 mm
Height / length (head)	15.6 mm
Depth (head)	5 mm
Material (head)	PBT
Bending radius (fixed)	4 mm
Cable jacket diameter	2.2 mm
Material cable jacket	PE
Material (fiber optic cable)	Plastic
Length (fiber optic cable)	200 cm

Dimension drawing



Actual range diagram

	Mode	Actual Range Sb [mm]
OF10	Ultra-High-Speed	356
	High-Speed	485
	Standard	515
	High-Resolution	747
	Long-Range	984
FVDK 10x6	Ultra-Long-Range	1364
	Fast	471
	Semi Fast	776
FVDK 10x5	Normal	922
	Potentiometer	108

Accessories
Fitting fiber optic sensors

11252204	OF10.FR-GW2J.B2NV/A014
11244386	OF10.FR-GW2J.B2CV/A014
11224111	OF10.FR-PW1B.B2N
11224008	OF10.FR-NW1B.B2CV
11224009	OF10.FR-NW1B.B2N
11224110	OF10.FR-PW1B.B2CV
11244384	OF10.FR-GW2J.B2N/A014
10162867	FVDK 10N5101
10162865	FVDK 10N5101/S35A
10162866	FVDK 10P5101
10162864	FVDK 10P5101/S35A
11045446	FVDK 10N66Y0
11045448	FVDK 10N66Y0/S35A
11045460	FVDK 10N66YR
11045445	FVDK 10P66Y0
11045447	FVDK 10P66Y0/S35A
11045449	FVDK 10P66YR
11214490	FVDK 10P66ZR
11214493	FVDK 10P66Z0/S35A
11214478	FVDK 10P66Z0
11214492	FVDK 10N66ZR
11214494	FVDK 10N66Z0/S35A
11214479	FVDK 10N66Z0
11045462	FVDK 10N66YM
11045464	FVDK 10N66YS
11045461	FVDK 10P66YM
11045463	FVDK 10P66YS

Mounting accessories

10114652	Cutting tool for plastic fiber optics
10119911	Mounting bracket Ø 2,2 mm
10156738	Fiber optic cable extension 2 m
10158142	Fiber optic cable extension 5 m
10145523	Fiber optic cable extension 5 m highly flexible