

## FSE 200C4002

Plastic fiber optic cable

Article number: 10123472

### Overview

- Through-beam type
- Actual range up to 1968 mm
- Threaded sensing head M4, side view
- Plastic fiber 200 cm long
- Operating temperatures up to +70 °C
- For compact fiber optic sensors FVDK 10 and OF10

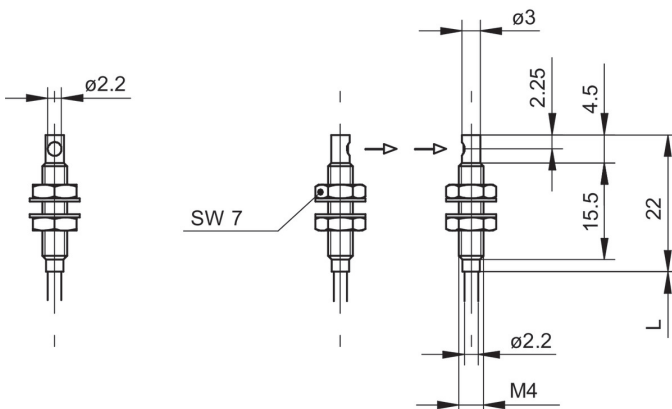


Picture similar

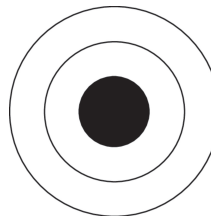
### Technical data

General data		Mechanical data	
Particular characteristics	Side view	Diameter Fiber	1 mm
Operating principle	Through-beam type	Width / diameter (head)	4 mm
Actual range Sb	1968 mm	Height / length (head)	22 mm
Fiber optic head	Cylindrical threaded, side view	Material (head)	Brass nickel plated
Operating temperature	-30 ... +70 °C	Thread	M4 x 0.7
Exit angle	60°	Bending radius (fixed)	30 mm
Fiber optics can be shortened to length	Yes	Bending radius (mobile)	15 mm
Integrated lens	No	Cable jacket diameter	2.2 mm
Adaptable lens	No	Material cable jacket	PE
Infrared light compatibility (1450 nm)	No	Material (fiber optic cable)	Plastic
		Length (fiber optic cable)	200 cm

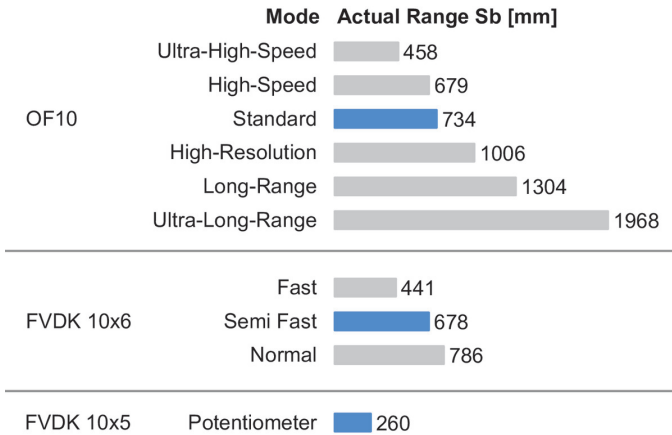
### Dimension drawing



### Fiber arrangement



## Actual range diagram



## Accessories

### Fitting fiber optic sensors

11252204	OF10.FR-GW2J.B2NV/A014
11244386	OF10.FR-GW2J.B2CV/A014
11224111	OF10.FR-PW1B.B2N
11224008	OF10.FR-NW1B.B2CV
11224009	OF10.FR-NW1B.B2N
11224110	OF10.FR-PW1B.B2CV
11244384	OF10.FR-GW2J.B2N/A014
10162867	FVDK 10N5101
10162865	FVDK 10N5101/S35A
10162866	FVDK 10P5101
10162864	FVDK 10P5101/S35A
11045446	FVDK 10N66Y0
11045448	FVDK 10N66Y0/S35A
11045460	FVDK 10N66YR
11045445	FVDK 10P66Y0
11045447	FVDK 10P66Y0/S35A
11045449	FVDK 10P66YR
11214490	FVDK 10P66ZR
11214493	FVDK 10P66Z0/S35A
11214478	FVDK 10P66Z0
11214492	FVDK 10N66ZR
11214494	FVDK 10N66Z0/S35A
11214479	FVDK 10N66Z0
11045462	FVDK 10N66YM
11045464	FVDK 10N66YS
11045461	FVDK 10P66YM
11045463	FVDK 10P66YS

### Mounting accessories

10114652	Cutting tool for plastic fiber optics
10119911	Mounting bracket Ø 2,2 mm
10156738	Fiber optic cable extension 2 m
10158142	Fiber optic cable extension 5 m
10145523	Fiber optic cable extension 5 m highly flexible