

Overview

- Through-beam type
- Actual range up to 140 mm
- Cylindrical smooth sensing head $\varnothing 4$ mm, side view
- Plastic jacket 25 cm long
- Operating temperature up to +70 °C
- For rugged fiber optic sensors FVDM 15



Picture similar

Technical data

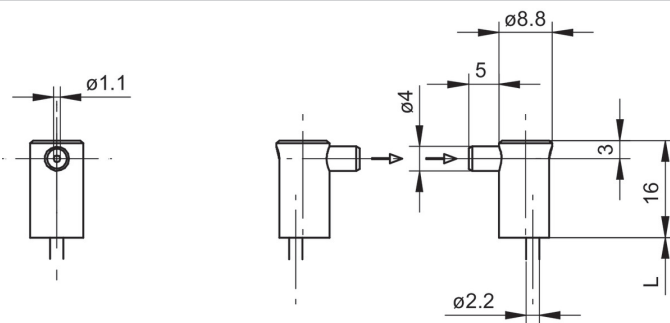
General data

Particular characteristics	Smooth sensing head Side view
Operating principle	Through-beam type
Actual range Sb	140 mm
Fiber optic head	Cylindrical smooth, side view
Operating temperature	-25 ... +70 °C
Exit angle	60°
Fiber optics can be shortened to length	No
Integrated lens	No
Adaptable lens	No
Infrared light compatibility (1450 nm)	Yes

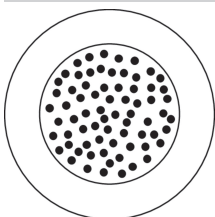
Mechanical data

Width / diameter (head)	4 mm
Height / length (head)	16 mm
Material (head)	Aluminum
Bending radius (fixed)	7.5 mm
Bending radius (mobile)	15 mm
Cable jacket diameter	2.5 mm
Material cable jacket	PVC
Fiber cross section	1 mm ²
Material (fiber optic cable)	Glass
Length (fiber optic cable)	25 cm

Dimension drawing



Fiber arrangement



Accessories

Fitting fiber optic sensors

10234639	FVDM 15N5103
10122368	FVDM 15N5103/S14
10234520	FVDM 15P5103
10239451	FVDM 15P5103/S14
10234519	FVDM 15P5130
10124952	FVDM 15P5130/S14

Accessories

Fitting fiber optic sensors

Mounting accessories

10103230	Replacement cap nut for fiber optics series 15
----------	--