

# FPE 200CA400

Plastic fiber optic cable

Article number: 11708572

Preliminary

## Overview

- Through-beam type (array)
- Actual range up to 2513 mm
- Rectangular sensing head, array width 40 mm, with integrated lens for fine line
- Plastic fiber 200 cm long, with bend protection
- Operating temperature up to +70 °C
- For compact fiber optic sensors FVDK 10 and OF10



Picture similar

## Technical data

### General data

Particular characteristics	Array (fine light barrier) Integrated lens Bend protection
Operating principle	Through-beam type
Actual range Sb	2513 mm
Fiber optic head	Rectangular
Operating temperature	-55 ... +70 °C
Exit angle	3°
Fiber optics can be shortened to length	No
Integrated lens	Yes
Adaptable lens	No
Infrared light compatibility (1450 nm)	No

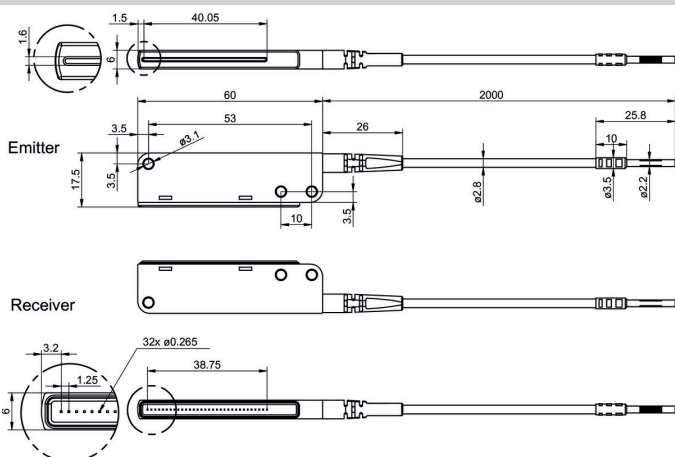
### General data

Smallest object recognizable	0.25 mm
------------------------------	---------

### Mechanical data

Array width	40 mm
Width / diameter (head)	17 mm
Height / length (head)	60 mm
Depth (head)	6 mm
Material (head)	Die-cast zinc
Bending radius (fixed)	60 mm
Cable jacket diameter	2.8 mm
Material cable jacket	PE
Material (fiber optic cable)	Plastic
Length (fiber optic cable)	200 cm

## Dimension drawing



## Actual range diagram

	Mode	Actual Range Sb [mm]
OF10	Ultra-High-Speed	712
	High-Speed	993
	Standard	1100
	High-Resolution	1499
	Long-Range	1869
FVDK 10x6	Fast	792
	Semi Fast	1283
	Normal	1500
FVDK 10x5	Potentiometer	159

## FPE 200CA400

Plastic fiber optic cable

Article number: 11708572

Preliminary

### Accessories

#### Fitting fiber optic sensors

11252204	OF10.FR-GW2J.B2NV/A014
11244386	OF10.FR-GW2J.B2CV/A014
11224111	OF10.FR-PW1B.B2N
11224008	OF10.FR-NW1B.B2CV
11224009	OF10.FR-NW1B.B2N
11224110	OF10.FR-PW1B.B2CV
11244384	OF10.FR-GW2J.B2N/A014
10162867	FVDK 10N5101
10162865	FVDK 10N5101/S35A
10162866	FVDK 10P5101
10162864	FVDK 10P5101/S35A
11045446	FVDK 10N66Y0
11045448	FVDK 10N66Y0/S35A
11045460	FVDK 10N66YR
11045445	FVDK 10P66Y0
11045447	FVDK 10P66Y0/S35A
11045449	FVDK 10P66YR
11214490	FVDK 10P66ZR
11214493	FVDK 10P66Z0/S35A
11214478	FVDK 10P66Z0
11214492	FVDK 10N66ZR
11214494	FVDK 10N66Z0/S35A
11214479	FVDK 10N66Z0
11045462	FVDK 10N66YM
11045464	FVDK 10N66YS
11045461	FVDK 10P66YM
11045463	FVDK 10P66YS