

FPE 200CA180

Plastic fiber optic cable

Article number: 11708569

Overview

- Through-beam type (array)
- Actual range up to 3400 mm
- Rectangular sensing head, array width 18 mm, with integrated lens for fine line
- Plastic fiber 200 cm long, with bend protection
- Operating temperature up to +70 °C
- For compact fiber optic sensors FVDK 10 and OF10



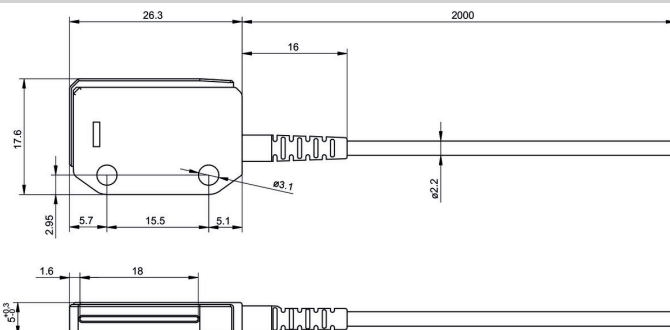
Picture similar

Technical data

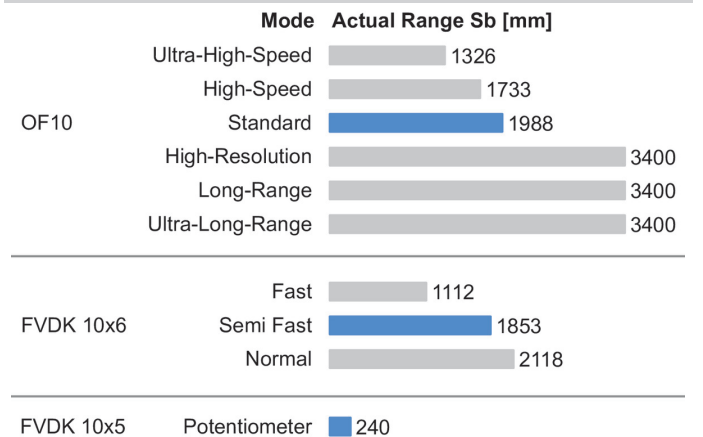
General data	
Particular characteristics	Array (fine light barrier) Integrated lens Bend protection
Operating principle	Through-beam type
Actual range Sb	400 mm
Fiber optic head	Rectangular
Operating temperature	-55 ... +70 °C
Exit angle	3°
Fiber optics can be shortened to length	Yes
Integrated lens	Yes
Adaptable lens	No
Infrared light compatibility (1450 nm)	No

General data	
Smallest object recognizable	0.1 mm
Mechanical data	
Diameter Fiber	1 mm
Array width	18 mm
Width / diameter (head)	17.6 mm
Height / length (head)	26.3 mm
Depth (head)	5 mm
Material (head)	Stainless steel
Bending radius (fixed)	25 mm
Cable jacket diameter	2.2 mm
Material cable jacket	PE
Material (fiber optic cable)	Plastic
Length (fiber optic cable)	200 cm

Dimension drawing



Actual range diagram



FPE 200CA180

Plastic fiber optic cable

Article number: 11708569

Accessories

Fitting fiber optic sensors

11252204	OF10.FR-GW2J.B2NV/A014
11244386	OF10.FR-GW2J.B2CV/A014
11224111	OF10.FR-PW1B.B2N
11224008	OF10.FR-NW1B.B2CV
11224009	OF10.FR-NW1B.B2N
11224110	OF10.FR-PW1B.B2CV
11244384	OF10.FR-GW2J.B2N/A014
10162867	FVDK 10N5101
10162865	FVDK 10N5101/S35A
10162866	FVDK 10P5101
10162864	FVDK 10P5101/S35A
11045446	FVDK 10N66Y0
11045448	FVDK 10N66Y0/S35A
11045460	FVDK 10N66YR
11045445	FVDK 10P66Y0
11045447	FVDK 10P66Y0/S35A
11045449	FVDK 10P66YR
11214490	FVDK 10P66ZR
11214493	FVDK 10P66Z0/S35A
11214478	FVDK 10P66Z0
11214492	FVDK 10N66ZR
11214494	FVDK 10N66Z0/S35A
11214479	FVDK 10N66Z0
11045462	FVDK 10N66YM
11045464	FVDK 10N66YS
11045461	FVDK 10P66YM
11045463	FVDK 10P66YS

Mounting accessories

11708552	ZTOOL-FBR.CUTTER
10119911	Mounting bracket Ø 2,2 mm