

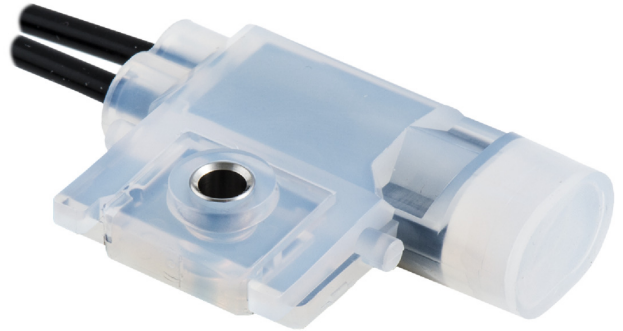
FOC 500C6Y00

Plastic fiber optic cable

Article number: 10146139

Overview

- Liquid-detection type (leakage)
- Switches when in contact with medium
- Flat-mounted sensing head 13 mm
- Plastic fiber 500 cm long
- Operating temperature up to +70 °C
- For compact fiber optic sensors FVDK 10 and OF10



Picture similar

Technical data

General data

Particular characteristics	Chemically resistant
Operating principle	Liquid-detection type
Sensing distance Tw	0 mm
Measurement type	Contact with medium
Fiber optic head	Rectangular
Operating temperature	-30 ... +70 °C
Exit angle	60°
Fiber optics can be shortened to length	Yes
Integrated lens	No
Adaptable lens	No
Infrared light compatibility (1450 nm)	No

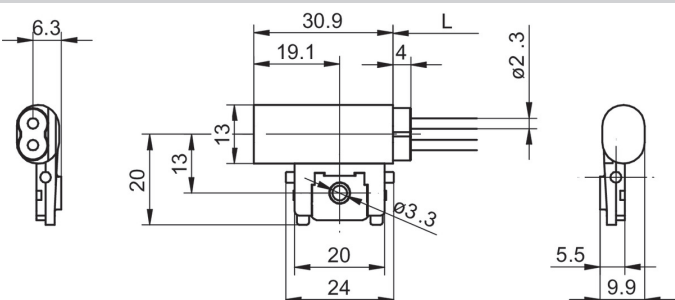
Mechanical data

Diameter Fiber	1 mm
Width / diameter (head)	13 mm
Height / length (head)	35 mm
Depth (head)	9.9 mm
Material (head)	PFA
Bending radius (fixed)	20 mm
Cable jacket diameter	2.3 mm
Material cable jacket	PFA (chemically resistant)
Material (fiber optic cable)	Plastic
Length (fiber optic cable)	500 cm

Remarks

- Suitable for constrained conditions.

Dimension drawing



Accessories

Fitting fiber optic sensors

11252204	OF10.FR-GW2J.B2NV/A014
11244386	OF10.FR-GW2J.B2CV/A014
11224111	OF10.FR-PW1B.B2N
11224008	OF10.FR-NW1B.B2CV
11224009	OF10.FR-NW1B.B2N
11224110	OF10.FR-PW1B.B2CV
11244384	OF10.FR-GW2J.B2N/A014
10162867	FVDK 10N5101
10162865	FVDK 10N5101/S35A
10162866	FVDK 10P5101
10162864	FVDK 10P5101/S35A
11045446	FVDK 10N66Y0
11045448	FVDK 10N66Y0/S35A
11045460	FVDK 10N66YR
11045445	FVDK 10P66Y0
11045447	FVDK 10P66Y0/S35A
11045449	FVDK 10P66YR
11214490	FVDK 10P66ZR
11214493	FVDK 10P66Z0/S35A
11214478	FVDK 10P66Z0
11214492	FVDK 10N66ZR
11214494	FVDK 10N66Z0/S35A
11214479	FVDK 10N66Z0
11045462	FVDK 10N66YM
11045464	FVDK 10N66YS
11045461	FVDK 10P66YM
11045463	FVDK 10P66YS

Mounting accessories

10114652	Cutting tool for plastic fiber optics
----------	---------------------------------------