

FKE 200CA200

Plastic fiber optic cable

Article number: 11708561

Overview

- Diffuse type (array)
- Sensing distance up to 213 mm
- Rectangular sensing head, array width 20 mm, with integrated lens for fine line
- Plastic fiber 200 cm long, with bend protection
- Operating temperature up to +70 °C
- For compact fiber optic sensors FVDK 10 and OF10

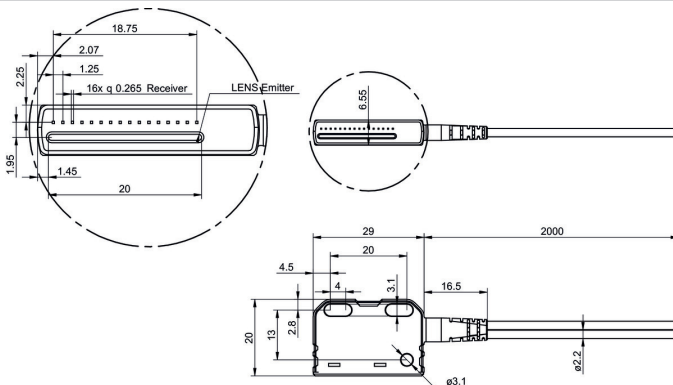


Picture similar

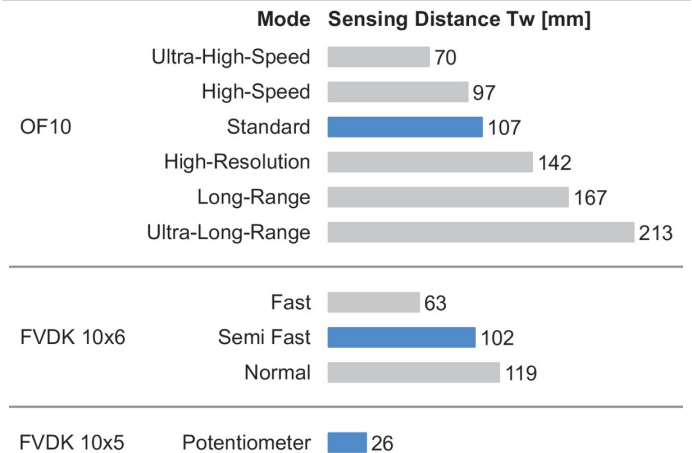
Technical data

General data		Mechanical data	
Operating principle	Diffuse type	Array width	20 mm
Sensing distance Tw	231 mm	Width / diameter (head)	20 mm
Fiber optic head	Rectangular	Height / length (head)	29 mm
Operating temperature	-55 ... +70 °C	Depth (head)	6.55
Exit angle	3°	Material (head)	Die-cast zinc
Fiber optics can be shortened to length	No	Bending radius (fixed)	25 mm
Integrated lens	Yes	Bending radius (mobile)	0 mm
Adaptable lens	No	Cable jacket diameter	2.2 mm
Infrared light compatibility (1450 nm)	No	Material cable jacket	PE
Smallest object recognizable	0.1 mm	Material (fiber optic cable)	Plastic
		Length (fiber optic cable)	200 cm

Dimension drawing



Sensing distance diagram



FKE 200CA200

Plastic fiber optic cable

Article number: 11708561

Accessories

Fitting fiber optic sensors

11252204	OF10.FR-GW2J.B2NV/A014
11244386	OF10.FR-GW2J.B2CV/A014
11224111	OF10.FR-PW1B.B2N
11224008	OF10.FR-NW1B.B2CV
11224009	OF10.FR-NW1B.B2N
11224110	OF10.FR-PW1B.B2CV
11244384	OF10.FR-GW2J.B2N/A014
10162867	FVDK 10N5101
10162865	FVDK 10N5101/S35A
10162866	FVDK 10P5101
10162864	FVDK 10P5101/S35A
11045446	FVDK 10N66Y0
11045448	FVDK 10N66Y0/S35A
11045460	FVDK 10N66YR
11045445	FVDK 10P66Y0
11045447	FVDK 10P66Y0/S35A
11045449	FVDK 10P66YR
11214490	FVDK 10P66ZR
11214493	FVDK 10P66Z0/S35A
11214478	FVDK 10P66Z0
11214492	FVDK 10N66ZR
11214494	FVDK 10N66Z0/S35A
11214479	FVDK 10N66Z0
11045462	FVDK 10N66YM
11045464	FVDK 10N66YS
11045461	FVDK 10P66YM
11045463	FVDK 10P66YS

Mounting accessories

11708552	Cutting tool for plastic fiber optics
10119911	Mounting bracket Ø 2,2 mm