

FCE 200DH400

Plastic fiber optic cable

Article number: 11708588

Preliminary

Overview

- Diffuse type
- Sensing distance up to 266 mm
- Threaded sensing head M4, 90° fiber exit, coaxial fiber layout for increased precision
- Plastic fiber 200 cm long, with bend protection
- Operating temperature up to +70 °C
- For compact fiber optic sensors FVDK 10 and OF10



Picture similar

Technical data

General data

Particular characteristics	Coaxial fiber layout Bend protection
Operating principle	Diffuse type
Sensing distance Tw	266 mm
Fiber optic head	Cylindrical threaded, 90° fiber exit
Operating temperature	-55 ... +70 °C
Exit angle	60°
Fiber optics can be shortened to length	Yes
Integrated lens	No
Adaptable lens	Yes
Infrared light compatibility (1450 nm)	No

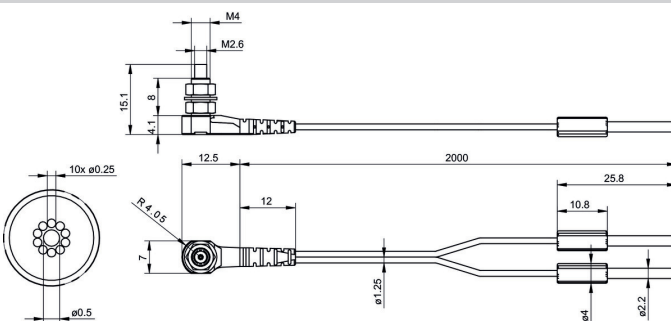
General data

Smallest object recognizable	0.005 mm
------------------------------	----------

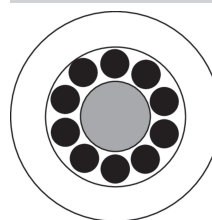
Mechanical data

Diameter Fiber	0.5 mm
Width / diameter (head)	4 mm
Height / length (head)	15.1 mm
Material (head)	Stainless steel
Thread	M4 x 0.7
Bending radius (fixed)	15 mm
Cable jacket diameter	1.25 mm
Material cable jacket	PE
Material (fiber optic cable)	Plastic
Length (fiber optic cable)	200 cm

Dimension drawing



Fiber arrangement



FCE 200DH400

Plastic fiber optic cable

Article number: 11708588

Preliminary

Sensing distance diagram

	Mode	Sensing Distance Tw [mm]
OF10	Ultra-High-Speed	101
	High-Speed	130
	Standard	146
	High-Resolution	185
	Long-Range	230
	Ultra-Long-Range	266
FVDK 10x6	Fast	81
	Semi Fast	132
	Normal	155
FVDK 10x5	Potentiometer	26

Accessories

Fitting fiber optic sensors

11252204	OF10.FR-GW2J.B2NV/A014
11244386	OF10.FR-GW2J.B2CV/A014
11224111	OF10.FR-PW1B.B2N
11224008	OF10.FR-NW1B.B2CV
11224009	OF10.FR-NW1B.B2N
11224110	OF10.FR-PW1B.B2CV
11244384	OF10.FR-GW2J.B2N/A014
10162867	FVDK 10N5101
10162865	FVDK 10N5101/S35A
10162866	FVDK 10P5101
10162864	FVDK 10P5101/S35A
11045446	FVDK 10N66Y0
11045448	FVDK 10N66Y0/S35A
11045460	FVDK 10N66YR
11045445	FVDK 10P66Y0
11045447	FVDK 10P66Y0/S35A
11045449	FVDK 10P66YR
11214490	FVDK 10P66ZR
11214493	FVDK 10P66Z0/S35A
11214478	FVDK 10P66Z0
11214492	FVDK 10N66ZR
11214494	FVDK 10N66Z0/S35A
11214479	FVDK 10N66Z0
11045462	FVDK 10N66YM
11045464	FVDK 10N66YS
11045461	FVDK 10P66YM
11045463	FVDK 10P66YS

Mounting accessories

11708552	ZTOOL-FBR.CUTTER
----------	------------------

Lenses and components

11708559	ZADAP-FBR.1_3MM
11708556	ZLENS-FBR.M4_10MM_0.7MM
11708558	ZLENS-FBR.M4_18MM_0.7MM