

Overview

- 50 ... 400 mm
- pulsed point source LED
- analog
- IO-Link
- connector M12 4 pin
- 50 °C
- IP 67



Picture similar



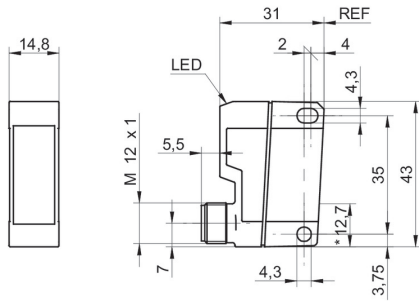
Technical data

General data		Electrical data	
Measuring distance Sd	50 ... 400 mm	Output signal	0 ... 10 VDC
Beam diameter	8 mm	Load resistance (analog U)	> 100 kOhm
Adjustment	IO-Link	Output current	< 100 mA
Teach-in range min.	> 20 mm	Alarm output	Push-pull
Power on indication	LED green	Short circuit protection	Yes
Soiled lens indicator	LED red	Reverse polarity protection	Yes, Vs to GND
Resolution	100 ... 1000 µm	Communication interface	
Linearity error	± 1.5 ... 4 mm	Interface	IO-Link V1.1
Beam type	Point	Mechanical data	
Temperature drift	< 0,1 % Sde/K	Width / diameter	14.8 mm
Light Source		Height / length	43 mm
Light source	Pulsed point source LED	Depth	31 mm
Wave length	660 nm	Type	Rectangular
Electrical data		Housing material	Plastic (ASA, MABS)
Response time / release time	< 3 ms	Front (optics)	PMMA
Voltage supply range +Vs	14 ... 26 VDC	Connection types	Connector M12 4 pin
Current consumption max. (no load)	80 mA	Ambient conditions	
Output circuit	Analog	Protection class	IP 67
		Operating temperature	0 ... +50 °C

Remarks

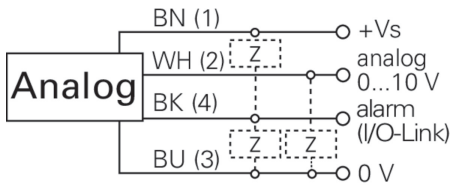
- IO-Link: Measuring range limit, average determination, service status, alarm output, switching window

Dimension drawing

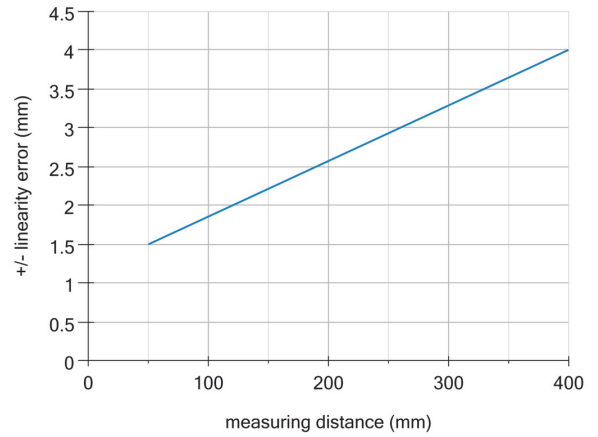


▪ * emitter axis

Connection diagram



Linearity error



Resolution

