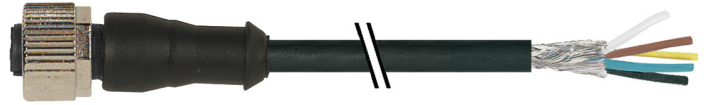


**Overview**

- M12, female, A-coded; 5-poles; PUR, 500 cm, shielded, free cable end
- Dragchain capable
- Head A: IP65, IP66K, IP67
- Cable: Good resistance against chemicals, flames and oils
- Halogen free



**Technical data**

| Side A                             |                                       | Cable                              |                                       |
|------------------------------------|---------------------------------------|------------------------------------|---------------------------------------|
| Head A: Connection                 | M12                                   | Bending radius (fixed)             | 28 mm                                 |
| Head A: Angle cable outlet         | 0°                                    | Number of wires                    | 5                                     |
| Head A: Gender                     | Female                                | Number and diameter of wires       | 5x0.34                                |
| Head A: Coding                     | A                                     | Length tolerance                   | ± 7.5 cm                              |
| Head A: No. of poles               | 5                                     | Cable length                       | 500 cm                                |
| Head A: LED                        | No                                    | Acceleration (C-track)             | max. 5 m/s <sup>2</sup>               |
| Head A: Width across flats         | AF13                                  | AWG                                | 22                                    |
| Head A: Tightening torque          | 1.0 Nm                                | Bending radius (fixed)             | min. 5 × outer diameter               |
| Head A: Knurled nut material       | Zinc-pressure die casting, surface Ni | Torsion speed                      | max. 35 cycles/min                    |
| Head A: Body color                 | Black                                 | Bending radius (mobile)            | min. 10 × outer diameter              |
| Head A: Gasket material            | FKM                                   | Cable weight                       | approx. 57.2 g/m                      |
| Labeling sleeve side A             | Yes                                   | Conductor structure                | 42 × 0.1 mm                           |
| Side B                             |                                       | Cable diameter                     | 5.6 mm ± 5%                           |
| Head B: Connection                 | Open-ended wires                      | Conductor: Material                | Copper, bare                          |
| Labeling sleeve side B             | No                                    | External sheath: Material          | PUR                                   |
| Cables                             |                                       | Insulation: Material               | PP                                    |
| Cable length                       | 500 cm                                | Shielding: Material                | Copper, tinned                        |
| Length tolerance                   | ± 7.5 cm                              | No. of bending cycles (C-track)    | approx. 500000 Cycles                 |
| Stripping length                   | 20 mm                                 | Nominal voltage                    | 300 V                                 |
| Shielded                           | Yes                                   | No. of torsion cycles              | approx. 2000000 Cycles                |
| Conductor structure                | 42 × 0.1 mm                           | Paired stranding                   | No                                    |
| AWG                                | 22                                    | Single wire diameter               | 0.16 mm                               |
| External sheath: Material          | PUR                                   | Cable: Test voltage                | 2 kV 0                                |
| External sheath: Color             | Black                                 | Torsion stress in °                | ± 30 °/m                              |
| Cable diameter                     | 5.6 mm ± 5%                           | Total stranding                    | 5 wires twisted around central filler |
| Wire cross section                 | 0.34 mm <sup>2</sup>                  | Travel speed (C-track)             | max. 3.3 m/s                          |
| Cable                              |                                       | Traversing path (horizontal)       | max. 5 m                              |
| External sheath: Shore hardness    | 90 ± 5 A                              | Wire cross section                 | 0.34 mm <sup>2</sup>                  |
| Cable: Temperature range (mobile)  | - 25 ...+ 80 °C                       | Wire processing                    | No                                    |
| Cable: Temperature range (fixed)   | - 40 ...+ 80 °C                       | Wire diameter incl. isolation      | 1.25 mm ± 5%                          |
| Operating voltage (only UL listed) | 30 V AC/DC                            | External sheath: Color             | Black                                 |
| Shielded                           | Yes                                   | Electrical data                    |                                       |
| Shielding: Covering                | approx. 80 %                          | Operating voltage                  | max. 60 V AC/DC 0                     |
| Shielding attenuation              | 0                                     | Operating voltage (only UL listed) | 30 V AC/DC                            |
|                                    |                                       | Nominal voltage                    | 300 V                                 |
|                                    |                                       | Contact resistance                 | max. 30 mOhm                          |

The product features and technical data specified do not express or imply any warranty. Technical modifications subject to change.

**Technical data**

**Electrical data**

Operating current per contact max. 4 A

**Mechanical data**

Head A: Degree of protection IP65, IP66K, IP67  
 Bending radius (mobile) min. 10 × outer diameter  
 Bending radius (fixed) min. 5 × outer diameter  
 No. of bending cycles (C-track) approx. 5000000 Cycles  
 Torsion speed max. 35 cycles/min  
 Torsion stress in ° ± 30 °/m  
 No. of torsion cycles approx. 2000000 Cycles  
 Acceleration (C-track) max. 5 m/s<sup>2</sup>  
 Travel speed (C-track) max. 3.3 m/s

**Environmental conditions**

Temperature range (mobile) - 25 ...+ 80 °C  
 Temperature range (fixed) - 25 ...+ 85 °C  
 Cable: Temperature range (fixed) - 40 ...+ 80 °C

**Environmental conditions**

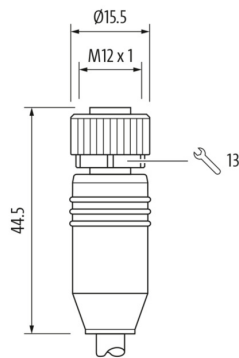
Dragchain capable Yes  
 Head A: Chemical resistance No  
 Head A: Flame resistance HB (UL 94)  
 Head A: Oil resistance ASTM 1 oil, mineral oils, limited to hydraulic oils  
 Head A: Acid and alkali resistant No  
 Head A: Pollution degree 3  
 Cable: Chemical resistance Good (DIN EN 60811-404)  
 Cable: Flame resistance Conform UL 1581 §1090 (H), CSA FT2, IEC 60332-2-2  
 Cable: Oil resistance Good (DIN EN 60811-404)  
 Cable: Acid and alkali resistant No  
 Cable: Silicone-free Yes

**Commercial data**

Eclass 27060311

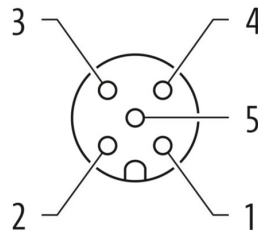
**Side A**

**Technical drawing**



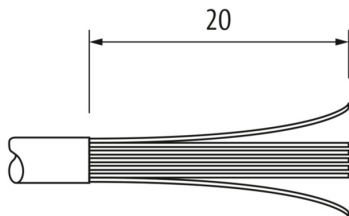
**Side A**

**Coding**

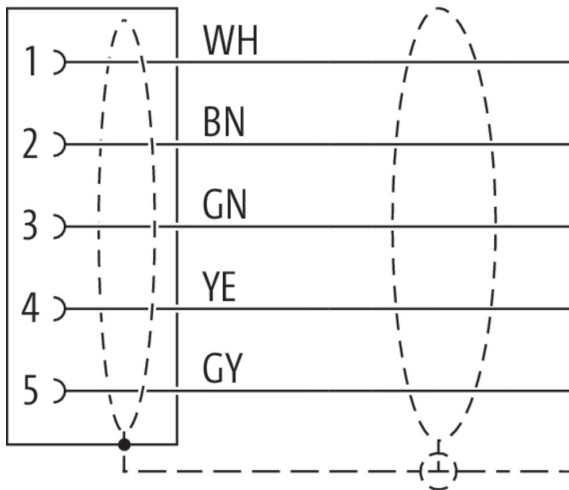


**Side B**

**Technical drawing**



**Connection diagram**



**Dimension drawing**

