

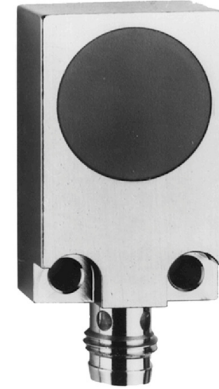
CFDM 20N3500/S35L

Capacitive proximity sensors

Article number: 10119701

Overview

- 5 mm
- NPN break function (NC)
- no
- connector M8
- -25 ... 75 °C
- IP 65



Picture similar



Technical data

General data

Nominal sensing distance Sn	5 mm
Mounting type	Flush
GND electrode	Yes
Temperature drift	± 15 % (+10 ... +70 °C)
Sensitivity adjustment	No
Output indicator	4 port LED
Measurement type	Contactless

Field of application

Detection of non-conductive media	Yes
Fill level detection through container	Yes
Liquids in direct contact	No
Object detection / bulk goods	Yes

Electrical data

Voltage supply range +Vs	10 ... 30 VDC
--------------------------	---------------

Electrical data

Current consumption max. (no load)	20 mA
Output circuit	NPN break function (NC)
Output current	< 200 mA
Voltage drop Vd	< 1.5 VDC
Switching frequency	50 Hz
Short circuit protection	Yes
Reverse polarity protection	Yes

Mechanical data

Type	Rectangular
Housing material	Brass nickel plated
Dimension	20 mm
Housing length	35 mm
Connection types	Connector M8

Ambient conditions

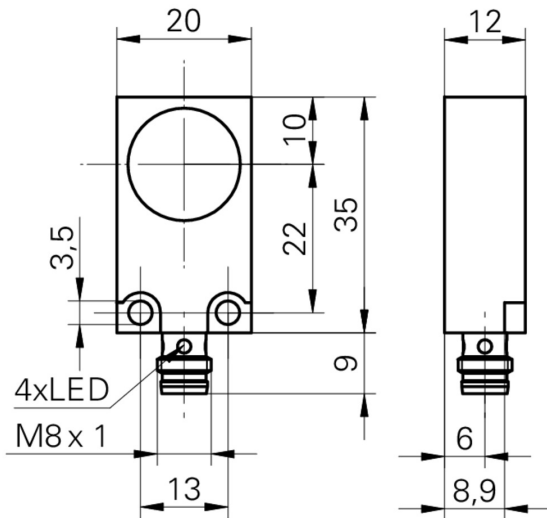
Operating temperature	-25 ... +75 °C
Protection class	IP 65

CFDM 20N3500/S35L

Capacitive proximity sensors

Article number: 10119701

Dimension drawing



Connection diagram

