

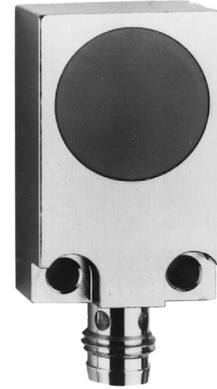
## CFDM 20N1500/S35L

Capacitive proximity sensors

Article number: 10119702

### Overview

- 5 mm
- NPN make function (NO)
- no
- connector M8
- -25 ... 75 °C
- IP 65



Picture similar



### Technical data

#### General data

Nominal sensing distance Sn	5 mm
Mounting type	Flush
GND electrode	Yes
Temperature drift	± 15 % (+10 ... +70 °C)
Sensitivity adjustment	No
Output indicator	4 port LED
Measurement type	Contactless

#### Field of application

Detection of non-conductive media	Yes
Fill level detection through container	Yes
Liquids in direct contact	No
Object detection / bulk goods	Yes

#### Electrical data

Voltage supply range +Vs	10 ... 30 VDC
--------------------------	---------------

#### Electrical data

Current consumption max. (no load)	20 mA
Output circuit	NPN make function (NO)
Output current	< 200 mA
Voltage drop Vd	< 1.5 VDC
Switching frequency	50 Hz
Short circuit protection	Yes
Reverse polarity protection	Yes

#### Mechanical data

Type	Rectangular
Housing material	Brass nickel plated
Dimension	20 mm
Housing length	35 mm
Connection types	Connector M8

#### Ambient conditions

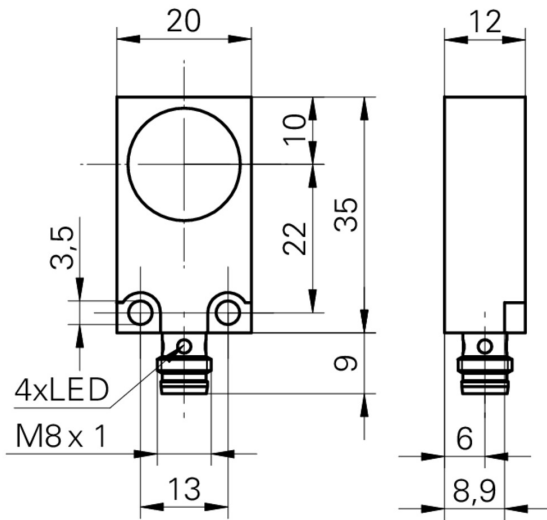
Operating temperature	-25 ... +75 °C
Protection class	IP 65

# CFDM 20N1500/S35L

Capacitive proximity sensors

Article number: 10119702

## Dimension drawing



## Connection diagram

