

# CFDK 30P3600/S14

Capacitive proximity sensors

Article number: 10119712

## Overview

- 15 mm
- PNP break function (NC)
- potentiometer, 15 turn
- connector M12
- -25 ... 75 °C
- IP 65



Picture similar



## Technical data

### General data

Nominal sensing distance Sn	15 mm
Nominal sensing distance Sn adjustable	4 ... 15 mm
Mounting type	Flush
GND electrode	Yes
Temperature drift	± 15 % (+10 ... +70 °C)
Sensitivity adjustment	Potentiometer, 15 turn
Output indicator	LED yellow
Measurement type	Contactless

### Field of application

Detection of non-conductive media	Yes
Fill level detection through container	Yes
Liquids in direct contact	No
Object detection / bulk goods	Yes

### Electrical data

Voltage supply range +Vs	10 ... 30 VDC
Current consumption max. (no load)	20 mA
Output circuit	PNP break function (NC)
Output current	< 200 mA
Voltage drop Vd	< 1.5 VDC
Switching frequency	50 Hz
Short circuit protection	Yes
Reverse polarity protection	Yes

### Mechanical data

Type	Rectangular
Housing material	PBT
Dimension	30 mm
Housing length	75 mm
Connection types	Connector M12

### Ambient conditions

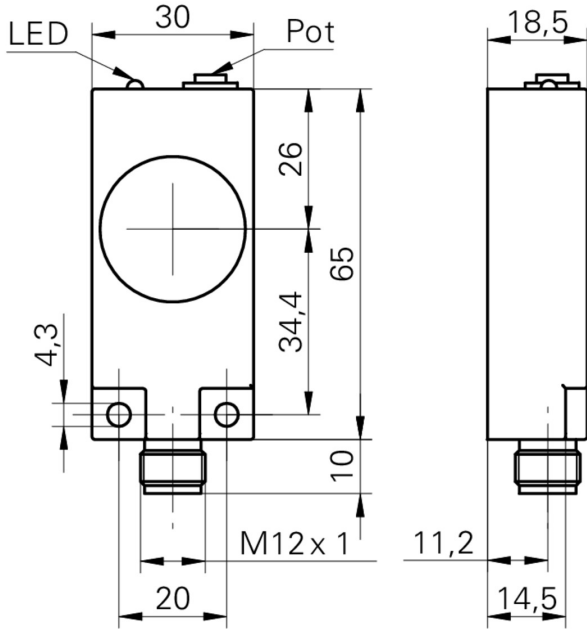
Operating temperature	-25 ... +75 °C
Protection class	IP 65

# CFDK 30P3600/S14

Capacitive proximity sensors

Article number: 10119712

## Dimension drawing



## Connection diagram

