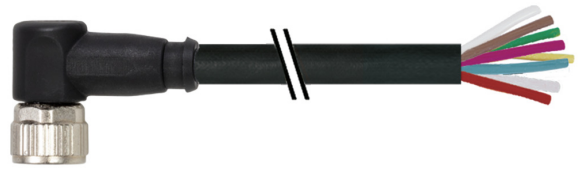


**Vue d'ensemble**

- M8, female, A-coded, 8-poles; PUR, 500 cm, free cable end
- Dragchain capable
- Head A: IP67
- Cable: good resistance against chemicals, flames, oils


**Caractéristiques techniques**

Side A		Cable	
Head A: Connection	M8	Acceleration (C-track)	max. 10 m/s <sup>2</sup>
Head A: Angle cable outlet	90°	AWG	26
Head A: Cable outlet to inlay	0°	Bending radius (fixed)	min. 6 × outer diameter
Head A: Gender	Female	Bending radius (mobile)	min. 10 × outer diameter
Head A: Coding	A	Conductor structure	18 × 0,1 mm
Head A: No. of poles	8	Cable diameter	5,5 mm ± 5%
Head A: LED	No	Conductor: Material	Copper, bare
Head A: Width across flats	AF9	External sheath: Material	PUR
Head A: Tightening torque	0,4 Nm	Insulation: Material	PP
Head A: Knurled nut material	Zinc-pressure die casting, surface Ni	No. of bending cycles (C-track)	approx. 2000000 Cycles
Head A: Body color	Black	Nominal voltage	300 V
Head A: Gasket material	FKM	Operating current per wire	1,5 A
Labeling sleeve side A	Yes	Paired stranding	No
<b>Side B</b>		Single wire diameter	0,1 mm
Head B: Connection	Open-ended wires	Cable: Test voltage	3 kV
Labeling sleeve side B	Yes	Total stranding	8 wires strand around core-filler
<b>Cables</b>		Travel speed (C-track)	max. 5 m/s
Cable length	500 cm	Wire cross section	0,14 mm <sup>2</sup>
Length tolerance	± 7,5 cm	Wire diameter incl. isolation	1,07 mm ± 5%
Shielded	No	External sheath: Color	Black
Conductor structure	18 × 0,1 mm	<b>Données électriques</b>	
AWG	26	Operating voltage	max. 30 V
External sheath: Material	PUR	Nominal voltage	300 V
External sheath: Color	Black	Operating current per contact	1,5 A
Cable diameter	5,5 mm ± 5%	<b>Données mécaniques</b>	
Wire cross section	0,14 mm <sup>2</sup>	Head A: Degree of protection	IP67
<b>Cable</b>		Bending radius (mobile)	min. 10 × outer diameter
Cable: Temperature range (mobile)	- 5 ...+ 60 °C	Bending radius (fixed)	min. 6 × outer diameter
Cable: Temperature range (fixed)	- 30 ...+ 80 °C	No. of bending cycles (C-track)	approx. 2000000 Cycles
Shielded	No	Acceleration (C-track)	max. 10 m/s <sup>2</sup>
Shielding: Covering	85 %	Travel speed (C-track)	max. 5 m/s
Bending radius (fixed)	33 mm	<b>Conditions ambiantes</b>	
Number of wires	8	Temperature range (mobile)	- 5 ...+ 60 °C
Number and diameter of wires	8x0,14	Temperature range (fixed)	- 30 ...+ 80 °C
Length tolerance	± 7,5 cm	Cable: Temperature range (fixed)	- 30 ...+ 80 °C
Cable length	500 cm		

**Caractéristiques techniques**

**Conditions ambiantes**

Dragchain capable	Oui
Head A: Chemical resistance	No
Head A: Acid and alkali resistant	No

**Conditions ambiantes**

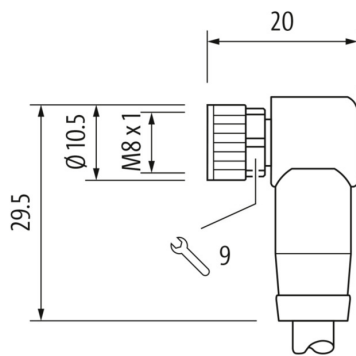
Head A: Pollution degree	3
--------------------------	---

**Commercial data**

Eclass	27060311
--------	----------

**Side A**

**Technical drawing**



**Schéma de raccordement**

1 )	WH
2 )	BN
3 )	GN
4 )	YE
5 )	GY
6 )	PK
7 )	BU
8 )	RD

**Coding**

