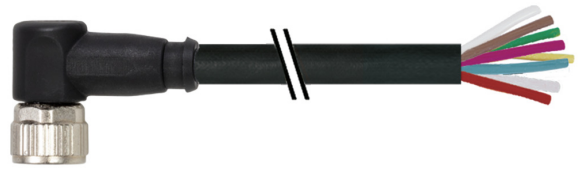


Overview

- M8, female, A-coded, 8-poles; PUR, 500 cm, free cable end
- Dragchain capable
- Head A: IP67
- Cable: good resistance against chemicals, flames, oils



Technical data

Side A

Head A: Connection	M8
Head A: Angle cable outlet	90°
Head A: Cable outlet to inlay	0°
Head A: Gender	Female
Head A: Coding	A
Head A: No. of poles	8
Head A: LED	No
Head A: Width across flats	AF9
Head A: Tightening torque	0.4 Nm
Head A: Knurled nut material	Zinc-pressure die casting, surface Ni
Head A: Body color	Black
Head A: Gasket material	FKM
Labeling sleeve side A	Yes

Side B

Head B: Connection	Open-ended wires
Labeling sleeve side B	Yes

Cables

Cable length	500 cm
Length tolerance	± 7.5 cm
Shielded	No
Conductor structure	18 × 0.1 mm
AWG	26
External sheath: Material	PUR
External sheath: Color	Black
Cable diameter	5.5 mm ± 5%
Wire cross section	0.14 mm ²

Cable

Cable: Temperature range (mobile)	- 5 ...+ 60 °C
Cable: Temperature range (fixed)	- 30 ...+ 80 °C
Shielded	No
Shielding: Covering	85 %
Bending radius (fixed)	33 mm
Number of wires	8
Number and diameter of wires	8x0.14
Length tolerance	± 7.5 cm
Cable length	500 cm

Cable

Acceleration (C-track)	max. 10 m/s ²
AWG	26
Bending radius (fixed)	min. 6 × outer diameter
Bending radius (mobile)	min. 10 × outer diameter
Conductor structure	18 × 0.1 mm
Cable diameter	5.5 mm ± 5%
Conductor: Material	Copper, bare
External sheath: Material	PUR
Insulation: Material	PP
No. of bending cycles (C-track)	approx. 2000000 Cycles
Nominal voltage	300 V
Operating current per wire	1.5 A
Paired stranding	No
Single wire diameter	0.1 mm
Cable: Test voltage	3 kV
Total stranding	8 wires strand around core-filler
Travel speed (C-track)	max. 5 m/s
Wire cross section	0.14 mm ²
Wire diameter incl. isolation	1.07 mm ± 5%
External sheath: Color	Black

Electrical data

Operating voltage	max. 30 V
Nominal voltage	300 V
Operating current per contact	1.5 A

Mechanical data

Head A: Degree of protection	IP67
Bending radius (mobile)	min. 10 × outer diameter
Bending radius (fixed)	min. 6 × outer diameter
No. of bending cycles (C-track)	approx. 2000000 Cycles
Acceleration (C-track)	max. 10 m/s ²
Travel speed (C-track)	max. 5 m/s

Environmental conditions

Temperature range (mobile)	- 5 ...+ 60 °C
Temperature range (fixed)	- 30 ...+ 80 °C
Cable: Temperature range (fixed)	- 30 ...+ 80 °C

Technical data

Environmental conditions

Dragchain capable	Yes
Head A: Chemical resistance	No
Head A: Acid and alkali resistant	No

Environmental conditions

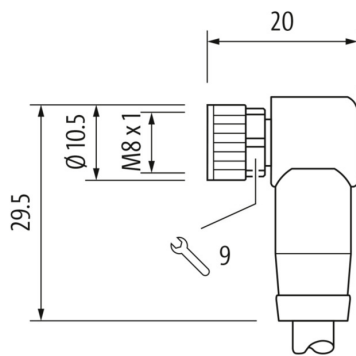
Head A: Pollution degree	3
--------------------------	---

Commercial data

Eclass	27060311
--------	----------

Side A

Technical drawing



Connection diagram

1)	WH
2)	BN
3)	GN
4)	YE
5)	GY
6)	PK
7)	BU
8)	RD

Coding

