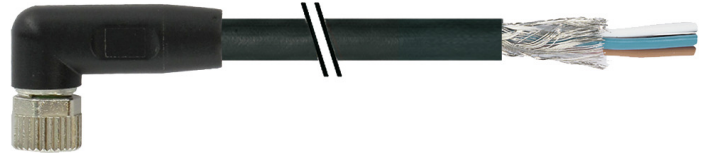


**Overview**

- M8, female, A-coded, 3-poles; PUR, 2000 cm, shielded, free cable end
- Dragchain capable
- Head A: IP65, IP67
- Cable: good resistance against chemicals, flames, oils
- Halogen free



**Technical data**

**Side A**

Head A: Connection	M8
Head A: Angle cable outlet	90°
Head A: Gender	Female
Head A: Coding	A
Head A: No. of poles	3
Head A: LED	No
Head A: Width across flats	AF9
Head A: Tightening torque	0.4 Nm
Head A: Knurled nut material	Zinc-pressure die casting, surface Ni
Head A: Body color	Black
Head A: Gasket material	FKM
Labeling sleeve side A	Yes

**Side B**

Head B: Connection	Open-ended wires
Labeling sleeve side B	Yes

**Cables**

Cable length	2000 cm
Length tolerance	± 30 cm
Stripping length	20 mm
Shielded	Yes
Conductor structure	42 × 0.1 mm
AWG	22
External sheath: Material	PUR
External sheath: Color	Black
Cable diameter	5 mm ± 5%
Wire cross section	0.34 mm <sup>2</sup>

**Cable**

Cable: Temperature range (mobile)	- 25 ...+ 80 °C
Cable: Temperature range (fixed)	- 40 ...+ 80 °C
Operating voltage (only UL listed)	30 V AC/DC
Shielded	Yes
Shielding: Covering	approx. 80 %
Bending radius (fixed)	25 mm
Number of wires	3

**Cable**

Number and diameter of wires	3x0.34
Length tolerance	± 30 cm
Cable length	2000 cm
Acceleration (C-track)	max. 5 m/s <sup>2</sup>
AWG	22
Bending radius (fixed)	min. 5 × outer diameter
Torsion speed	max. 35 cycles/min
Bending radius (mobile)	min. 10 × outer diameter
Cable type	3
Cable weight	approx. 44 g/m
Conductor structure	42 × 0.1 mm
Cable diameter	5 mm ± 5%
Conductor: Material	Copper, bare
External sheath: Material	PUR
Insulation: Material	PP
Shielding: Material	Copper, tinned
No. of bending cycles (C-track)	approx. 500000 Cycles
Nominal voltage	300 V
No. of torsion cycles	approx. 2000000 Cycles
Paired stranding	No
Single wire diameter	0.1 mm
Cable: Test voltage	2 kV AC core-core ; 2 kV AC core-shield
Torsion stress in °	± 30 °/m
Total stranding	3 wires strand
Travel speed (C-track)	max. 3.3 m/s
Traversing path (horizontal)	max. 5 m
Wire cross section	0.34 mm <sup>2</sup>
Wire processing	No
Wire diameter incl. isolation	1.25 mm ± 5%
External sheath: Color	Black

**Electrical data**

Operating voltage	max. 50 V AC / 60 V DC
Operating voltage (only UL listed)	30 V AC/DC
Nominal voltage	300 V
Contact resistance	max. 30 mOhm

**Technical data**

**Electrical data**

Operating current per contact    max. 4 A

**Mechanical data**

Head A: Degree of protection    IP65, IP67

Bending radius (mobile)        min. 10 × outer diameter

Bending radius (fixed)         min. 5 × outer diameter

No. of bending cycles (C-track)    approx. 5000000 Cycles

Torsion speed                        max. 35 cycles/min

Torsion stress in °                 ± 30 °/m

No. of torsion cycles                approx. 2000000 Cycles

Acceleration (C-track)            max. 5 m/s<sup>2</sup>

Travel speed (C-track)            max. 3.3 m/s

**Environmental conditions**

Temperature range (mobile)       - 25 ...+ 80 °C

Temperature range (fixed)        - 25 ...+ 80 °C

**Environmental conditions**

Cable: Temperature range (fixed)    - 40 ...+ 80 °C

Dragchain capable                 Yes

Head A: Chemical resistance        No

Head A: Flame resistance            HB (UL 94)

Head A: Oil resistance                ASTM 1 oil, mineral oils, limited to hydraulic oils

Head A: Acid and alkali resistant    No

Head A: Pollution degree            3

Cable: Chemical resistance          Good (DIN EN 60811-404)

Cable: Flame resistance              Conform UL 1581 §1090 (H), CSA FT2, IEC 60332-2-2

Cable: Oil resistance                 Good (DIN EN 60811-404)

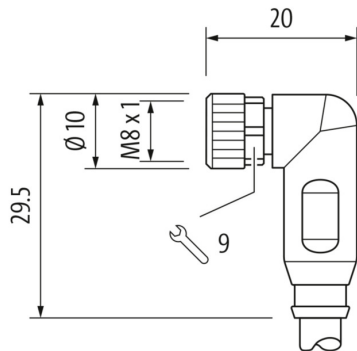
Cable: Silicone-free                 Yes

**Commercial data**

Eclass                                    27060311

**Side A**

**Technical drawing**

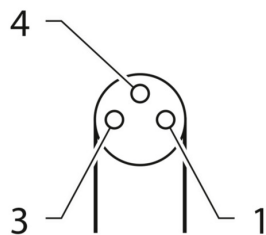


**Side B**

**Technical drawing**



**Coding**



Connection diagram



Dimension drawing

