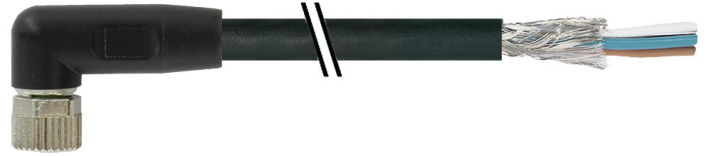


**Vue d'ensemble**

- M8, female, A-coded, 3-poles; PUR, 1000 cm, shielded, free cable end
- Dragchain capable
- Head A: IP65, IP67
- Cable: good resistance against chemicals, flames, oils
- Halogen free



**Caractéristiques techniques**

| Side A                             |                                       | Cable                              |   |
|------------------------------------|---------------------------------------|------------------------------------|---|
| Head A: Connection                 | M8                                    | Number and diameter of wires       | 3x0,34                                  |
| Head A: Angle cable outlet         | 90°                                   | Length tolerance                   | ± 15 cm                                 |
| Head A: Gender                     | Female                                | Cable length                       | 1000 cm                                 |
| Head A: Coding                     | A                                     | Acceleration (C-track)             | max. 5 m/s <sup>2</sup>                 |
| Head A: No. of poles               | 3                                     | AWG                                | 22                                      |
| Head A: LED                        | No                                    | Bending radius (fixed)             | min. 5 × outer diameter                 |
| Head A: Width across flats         | AF9                                   | Torsion speed                      | max. 35 cycles/min                      |
| Head A: Tightening torque          | 0,4 Nm                                | Bending radius (mobile)            | min. 10 × outer diameter                |
| Head A: Knurled nut material       | Zinc-pressure die casting, surface Ni | Cable type                         | 3                                       |
| Head A: Body color                 | Black                                 | Cable weight                       | approx. 44 g/m                          |
| Head A: Gasket material            | FKM                                   | Conductor structure                | 42 × 0,1 mm                             |
| Labeling sleeve side A             | Yes                                   | Cable diameter                     | 5 mm ± 5%                               |
| <b>Side B</b>                      |                                       | Conductor: Material                | Copper, bare                            |
| Head B: Connection                 | Open-ended wires                      | External sheath: Material          | PUR                                     |
| Labeling sleeve side B             | Yes                                   | Insulation: Material               | PP                                      |
| <b>Cables</b>                      |                                       | Shielding: Material                | Copper, tinned                          |
| Cable length                       | 1000 cm                               | No. of bending cycles (C-track)    | approx. 500000 Cycles                   |
| Length tolerance                   | ± 15 cm                               | Nominal voltage                    | 300 V                                   |
| Stripping length                   | 20 mm                                 | No. of torsion cycles              | approx. 2000000 Cycles                  |
| Shielded                           | Oui                                   | Paired stranding                   | No                                      |
| Conductor structure                | 42 × 0,1 mm                           | Single wire diameter               | 0,1 mm                                  |
| AWG                                | 22                                    | Cable: Test voltage                | 2 kV AC core-core ; 2 kV AC core-shield |
| External sheath: Material          | PUR                                   | Torsion stress in °                | ± 30 °/m                                |
| External sheath: Color             | Black                                 | Total stranding                    | 3 wires strand                          |
| Cable diameter                     | 5 mm ± 5%                             | Travel speed (C-track)             | max. 3,3 m/s                            |
| Wire cross section                 | 0,34 mm <sup>2</sup>                  | Traversing path (horizontal)       | max. 5 m                                |
| <b>Cable</b>                       |                                       | Wire cross section                 | 0,34 mm <sup>2</sup>                    |
| Cable: Temperature range (mobile)  | - 25 ...+ 80 °C                       | Wire processing                    | No                                      |
| Cable: Temperature range (fixed)   | - 40 ...+ 80 °C                       | Wire diameter incl. isolation      | 1,25 mm ± 5%                            |
| Operating voltage (only UL listed) | 30 V AC/DC                            | External sheath: Color             | Black                                   |
| Shielded                           | Oui                                   | <b>Données électriques</b>         |   |
| Shielding: Covering                | approx. 80 %                          | Operating voltage                  | max. 50 V AC / 60 V DC                  |
| Bending radius (fixed)             | 25 mm                                 | Operating voltage (only UL listed) | 30 V AC/DC                              |
| Number of wires                    | 3                                     | Nominal voltage                    | 300 V                                   |
|                                    |                                       | Contact resistance                 | max. 30 mOhm                            |

**Caractéristiques techniques**

**Données électriques**

Operating current per contact max. 4 A

**Données mécaniques**

Head A: Degree of protection IP65, IP67  
 Bending radius (mobile) min. 10 × outer diameter  
 Bending radius (fixed) min. 5 × outer diameter  
 No. of bending cycles (C-track) approx. 5000000 Cycles  
 Torsion speed max. 35 cycles/min  
 Torsion stress in ° ± 30 °/m  
 No. of torsion cycles approx. 2000000 Cycles  
 Acceleration (C-track) max. 5 m/s<sup>2</sup>  
 Travel speed (C-track) max. 3,3 m/s

**Conditions ambiantes**

Temperature range (mobile) - 25 ...+ 80 °C  
 Temperature range (fixed) - 25 ...+ 80 °C

**Conditions ambiantes**

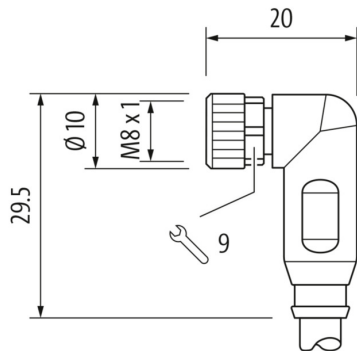
Cable: Temperature range (fixed) - 40 ...+ 80 °C  
 Dragchain capable Oui  
 Head A: Chemical resistance No  
 Head A: Flame resistance HB (UL 94)  
 Head A: Oil resistance ASTM 1 oil, mineral oils, limited to hydraulic oils  
 Head A: Acid and alkali resistant No  
 Head A: Pollution degree 3  
 Cable: Chemical resistance Good (DIN EN 60811-404)  
 Cable: Flame resistance Conform UL 1581 §1090 (H), CSA FT2, IEC 60332-2-2  
 Cable: Oil resistance Good (DIN EN 60811-404)  
 Cable: Silicone-free Oui

**Commercial data**

Eclass 27060311

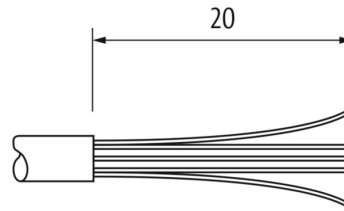
**Side A**

**Technical drawing**

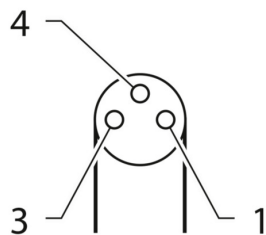


**Side B**

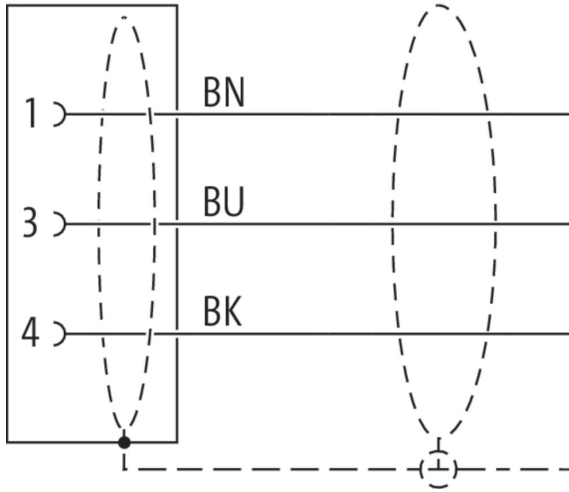
**Technical drawing**



**Coding**



### Schéma de raccordement



### Dessin d'encombrement

