

Vue d'ensemble

- Adaptateur M12 en Y pour EB260. Boucler M12.A8 et sortir M12.A3 pour la connexion à un maître IO-Link



Caractéristiques techniques

Side A

Head A: Connection	M12
Head A: Angle cable outlet	0°
Head A: Gender	Female
Head A: Coding	A
Head A: No. of poles	8
Head A: Width across flats	AF13
Head A: Tightening torque	0,6 Nm
Head A: Body color	Black

Side B

Head B: Connection	M12
Head B: Angle cable outlet	0°
Head B: Gender	Male
Head B: Coding	A
Head B: No. of poles	8
Head B: Width across flats	AF13
Head B: Tightening torque	0,6 Nm
Head B: Body color	Black

Head C: Connection	M12
Head C: Angle cable outlet	0°
Head C: Gender	Male
Head C: Coding	A
Head C: No. of poles	3
Head C: Width across flats	AF13
Head C: Tightening torque	0,6 Nm
Head C: Body color	Black

Cables

Cable length	300 mm
Length tolerance	± 20 mm
Shielded	Oui
AWG	24
External sheath: Material	PVC
External sheath: Color	Black

Cable

Shielded	Oui
Length tolerance	± 20 mm
Cable length	300 mm
AWG	24
External sheath: Material	PVC
External sheath: Color	Black

Données électriques

Operating voltage	30 V AC/DC 0
Operating current per contact	2 A

Données mécaniques

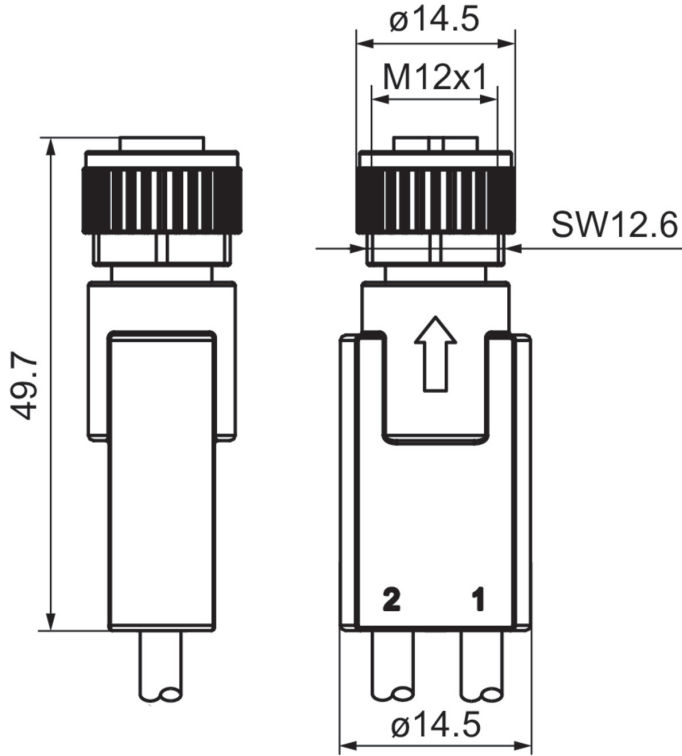
Head A: Degree of protection	IP67
Head B: Degree of protection	IP67
Head C: Degree of protection	IP67

Conditions ambiantes

Temperature range (mobile)	- 25 ...+ 80 °C
Temperature range (fixed)	- 40 ...+ 80 °C

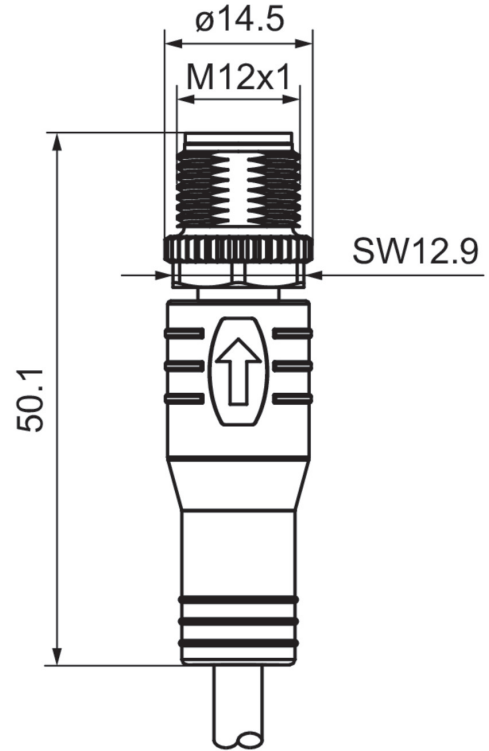
Side A

Technical drawing



Side B

Technical drawing



Side B

Technical drawing

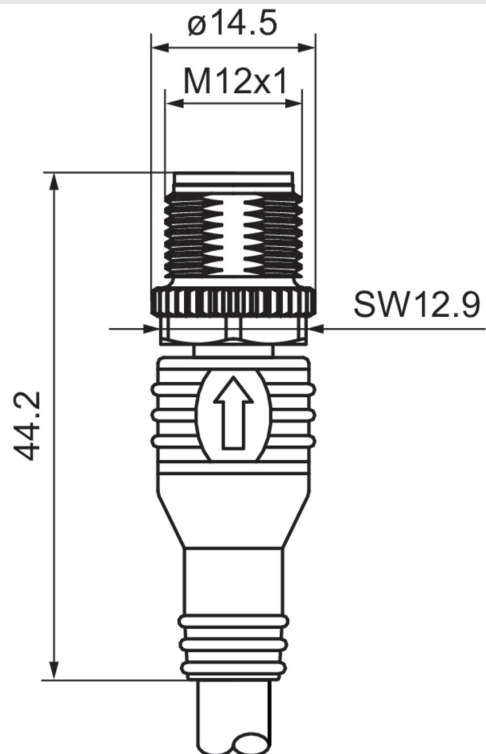


Schéma de raccordement

