

Overview

- M12 Y adapter cable for the transmission of incremental signals and parallel use of IO-Link or switching output
- Enables condition monitoring via IO-Link or switching output
- Suitable for EB260 bearingless encoders



Technical data

Side A

Head A: Connection	M12
Head A: Angle cable outlet	0°
Head A: Gender	Female
Head A: Coding	A
Head A: No. of poles	8
Head A: Width across flats	AF13
Head A: Tightening torque	0.6 Nm
Head A: Body color	Black

Side B

Head B: Connection	M12
Head B: Angle cable outlet	0°
Head B: Gender	Male
Head B: Coding	A
Head B: No. of poles	8
Head B: Width across flats	AF13
Head B: Tightening torque	0.6 Nm
Head B: Body color	Black
Head C: Connection	M12
Head C: Angle cable outlet	0°
Head C: Gender	Male
Head C: Coding	A
Head C: No. of poles	3
Head C: Width across flats	AF13
Head C: Tightening torque	0.6 Nm
Head C: Body color	Black

Cables

Cable length	300 mm
Length tolerance	± 20 mm
Shielded	Yes
AWG	24
External sheath: Material	PVC
External sheath: Color	Black

Cable

Shielded	Yes
Length tolerance	± 20 mm
Cable length	300 mm
AWG	24
External sheath: Material	PVC
External sheath: Color	Black

Electrical data

Operating voltage	30 V AC/DC 0
Operating current per contact	2 A

Mechanical data

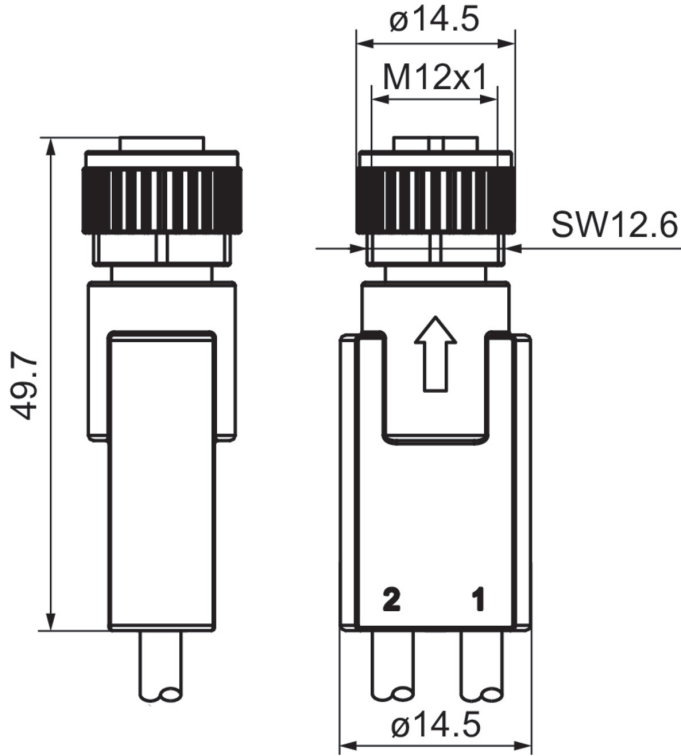
Head A: Degree of protection	IP67
Head B: Degree of protection	IP67
Head C: Degree of protection	IP67

Environmental conditions

Temperature range (mobile)	- 25 ...+ 80 °C
Temperature range (fixed)	- 40 ...+ 80 °C

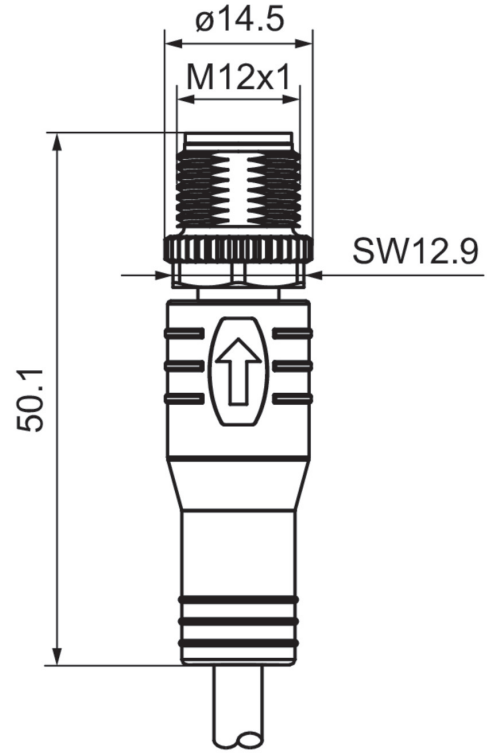
Side A

Technical drawing



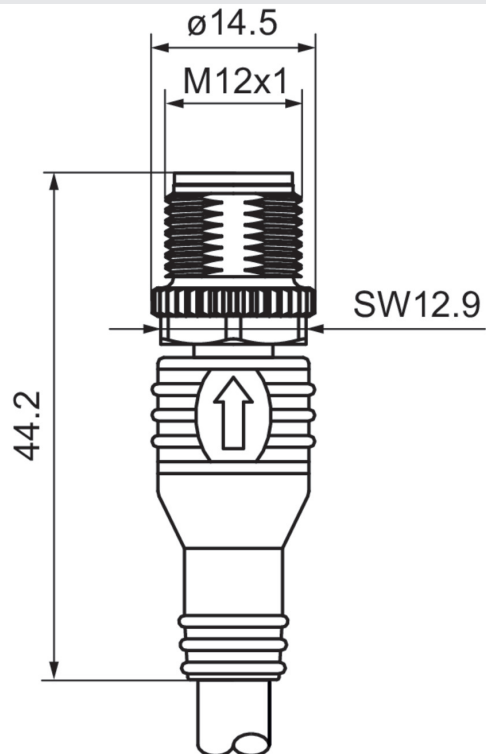
Side B

Technical drawing



Side B

Technical drawing



Connection diagram

