

Overview

- M12 IO-Link adapter cable for connecting devices with 8 pin M12 connector with any standard IO-Link master
- For quick and easy device parameterization
- Suitable for EB260 bearingless encoders



Technical data

Side A

Head A: Connection	M12
Head A: Angle cable outlet	0°
Head A: Gender	Female
Head A: Coding	A
Head A: No. of poles	8
Head A: Width across flats	AF13
Head A: Tightening torque	0.6 Nm
Head A: Knurled nut material	Zinc-pressure die casting, surface Ni
Head A: Body color	Black

Side B

Head B: Connection	M12
Head B: Cable outlet to inlay	0°
Head B: Coding	A
Head B: No. of poles	4
Head B: Width across flats	AF13
Head B: Tightening torque	0.6 Nm
Head B: Knurled nut material	Zinc-pressure die casting, surface Ni
Head B: Body color	Black

Cables

Cable length	300 mm
--------------	--------

Cables

Shielded	No
AWG	24
External sheath: Material	PVC
External sheath: Color	Black
Wire cross section	0.25 mm ²

Cable

Shielded	No
Cable length	300 mm
AWG	24
External sheath: Material	PVC
Paired stranding	No
Wire cross section	0.25 mm ²
External sheath: Color	Black

Electrical data

Operating voltage	30 V AC/DC 0
Operating current per contact	2 A

Mechanical data

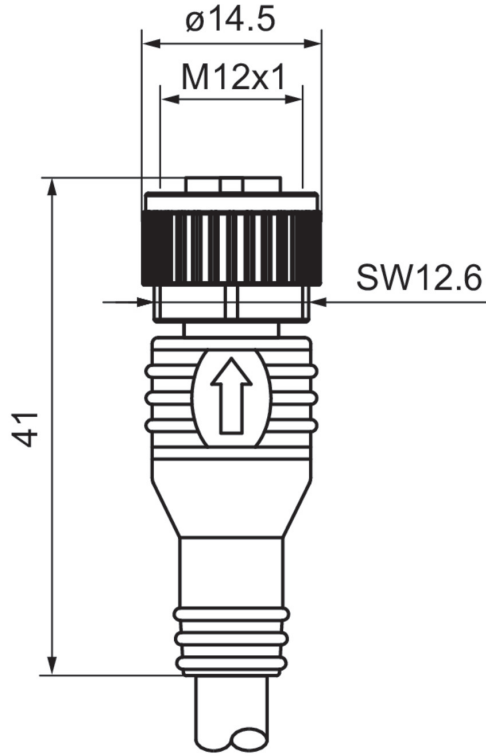
Head A: Degree of protection	IP67
------------------------------	------

Environmental conditions

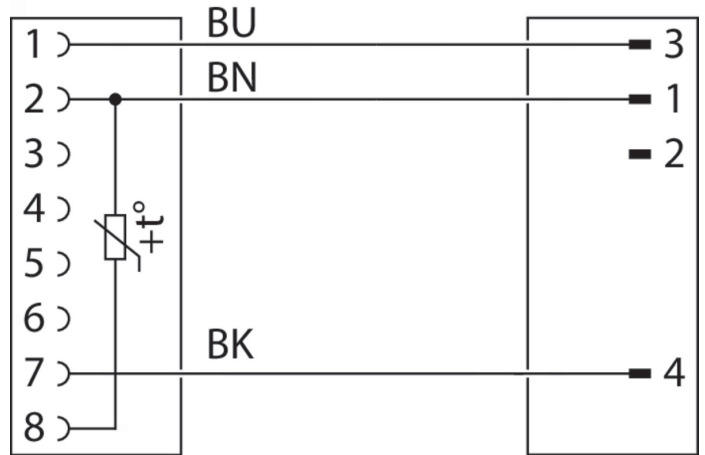
Temperature range (mobile)	- 25 ...+ 80 °C
Temperature range (fixed)	- 40 ...+ 80 °C

Side A

Technical drawing



Connection diagram



Side B

Technical drawing

