

## Overview

- M12 IO-Link adapter for EB260. Connects the M12.A8 connector of the encoder to an M12.A3 for connection to any standard IO-Link master



## Technical data

### Side A

Head A: Connection	M12
Head A: Angle cable outlet	0°
Head A: Gender	Female
Head A: Coding	A
Head A: No. of poles	8
Head A: Width across flats	AF13
Head A: Tightening torque	0.6 Nm
Head A: Knurled nut material	Zinc-pressure die casting, surface Ni
Head A: Body color	Black

### Side B

Head B: Connection	M12
Head B: Cable outlet to inlay	0°
Head B: Coding	A
Head B: No. of poles	3
Head B: Width across flats	AF13
Head B: Tightening torque	0.6 Nm
Head B: Knurled nut material	Zinc-pressure die casting, surface Ni
Head B: Body color	Black

### Cables

Cable length	300 mm
Shielded	No
AWG	24

### Cables

External sheath: Material	PVC
External sheath: Color	Black
Wire cross section	0.34 mm <sup>2</sup>

### Cable

Shielded	No
Number of wires	3
Number and diameter of wires	3x0.34
Cable length	300 mm
AWG	24

External sheath: Material	PVC
Paired stranding	No
Wire cross section	0.34 mm <sup>2</sup>
External sheath: Color	Black

### Electrical data

Operating voltage	30 V AC/DC 0
Operating current per contact	2 A

### Mechanical data

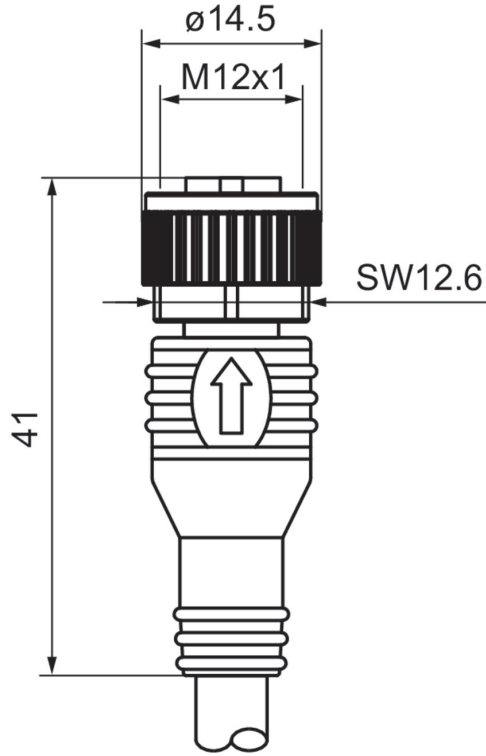
Head A: Degree of protection	IP67
------------------------------	------

### Environmental conditions

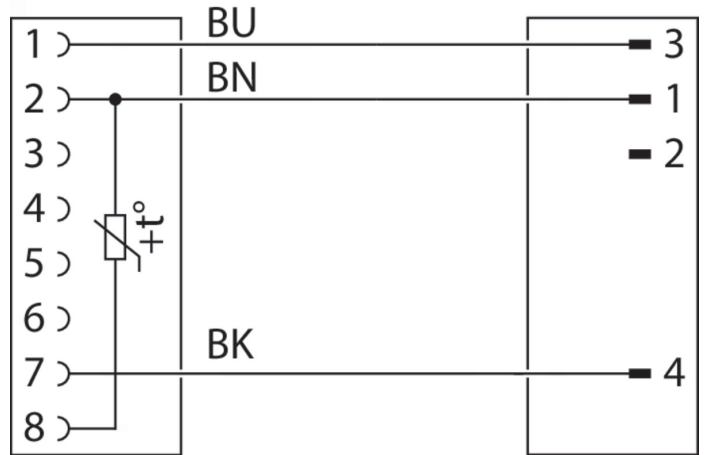
Temperature range (mobile)	- 25 ...+ 80 °C
Temperature range (fixed)	- 40 ...+ 80 °C

**Side A**

**Technical drawing**



**Connection diagram**



**Side B**

**Technical drawing**

